

**Brass 22mm Recessed Lid
suits 4 x Standard Series Outlets**

Capacity: 4 x Standard Series

Power/ Data/ AV Outlets

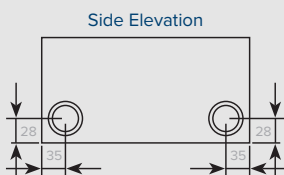
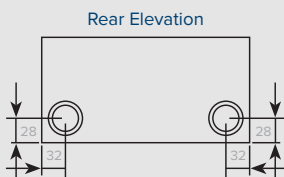
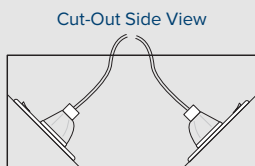
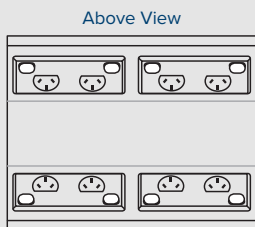
Lid Material: Brass

Lid Rebate: 22mm Deep

Lid Size: 235 x 235mm

Box Size: 242 x 230 x 110mm

Recess Size: 262 x 250 x 120mm



Typical Conduit Hole Location.
Size = Combination 25mm/32mm
Conduit Knockouts

Features

Brass Lid
with 22mm rebate to
suit floor finish.

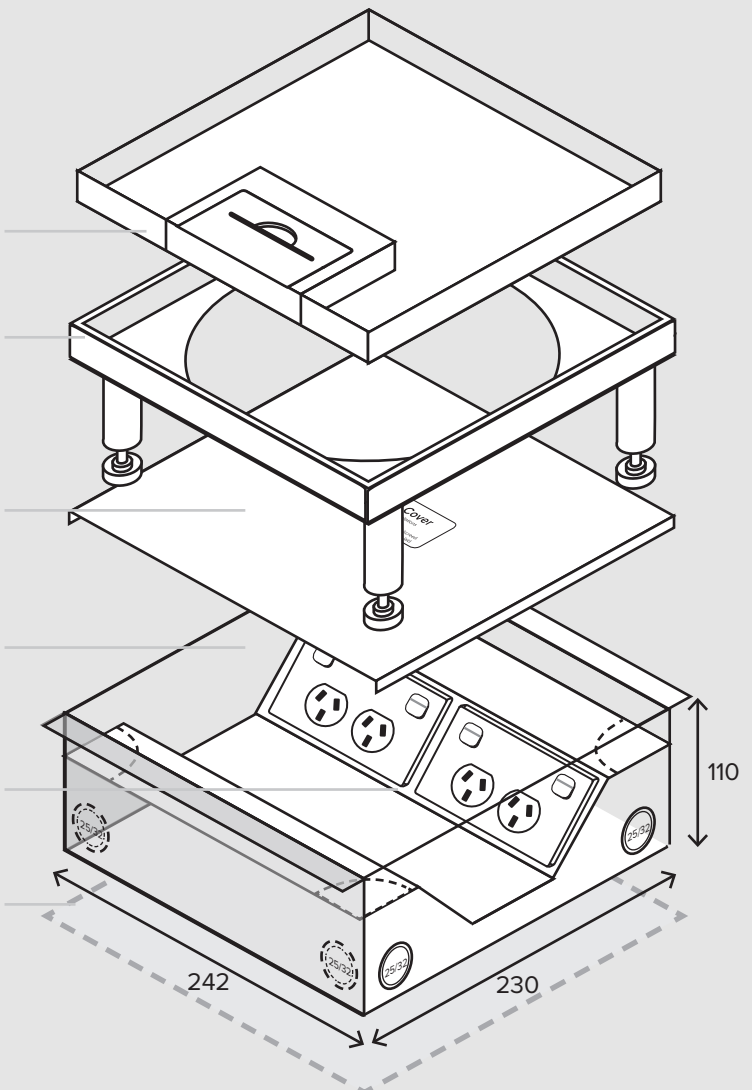
Brass Frame - includes
levelling/adjustment legs

Temporary Lid - secure
to body during concrete
pour to prevent ingress
of slurry

Steel Box Body - 242 x
230 x 110mm nom. deep.
Has 8 x combination
25mm/32mm conduit
knockouts - all on outside
of box

Outlet Bracket to Suit 4 x
Standard Bakelite
Power/ Data /AV Outlet

Block-out in concrete slab
262 x 250 x 120mm nom.



Outlets are not included. All Dimensions quoted are nominal only. Drawings, images and diagrams are for illustrative purposes only and are not to scale. Product details and dimensions are subject to change without notice. This product is not suitable for use in wet areas, is intended for use with fixed wiring only and must be installed by a licensed electrical mechanic in accordance with AS3000, SAA Wiring Rules and A.C.A Requirements