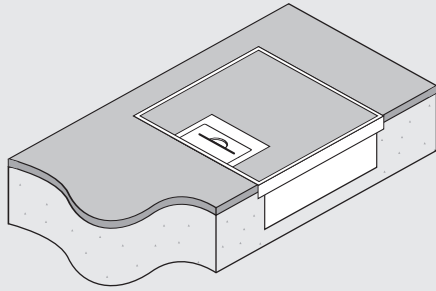


FFOB-149/2A
Stainless Steel lid



FFOB-149B/2A
Brass look lid

AT A GLANCE

Capacity: 2 x Round Autoswitched GPOs
Lid Material: 304 Grade Stainless Steel or Brass Look
Lid Rebate: 19mm Deep
Lid Size: 151 x 151 x 24mm
Box Size: 126 x 135 x 67mm
Recess Size: 146 x 155 x 101mm

This Floor Box Weighs Up To: 1.8KG's

Features

Stainless Steel Lid with 19mm rebate to suit floor finish.

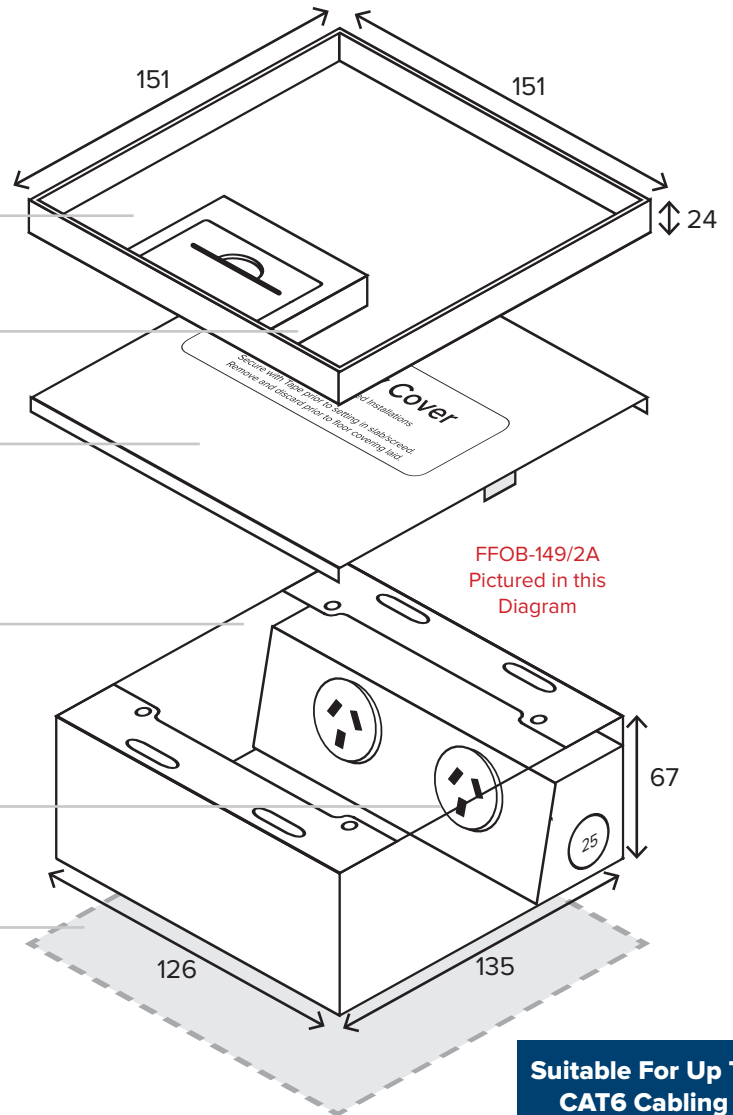
Cord Exit Flap - with dust guards and recessed handle

Temporary Cover - secure to body during concrete pour to prevent ingress of slurry

Steel Box Body - 126 x 135 x 67mm nom. deep. Has 5 x 25mm conduit knockouts - 4 on outside of box and 1 on the base

2 x 10Amp Round Autoswitched GPOs (supplied)

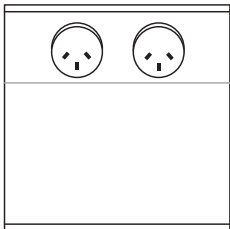
Block-out in concrete slab 146 x 155 x 101mm nom. Cut-out in raised floor 128 x 137mm nom.



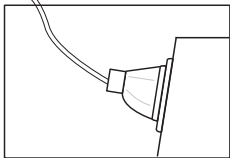
FFOB-149/2A Pictured in this Diagram

Suitable For Up To CAT6 Cabling

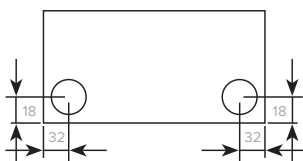
Above View



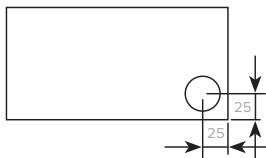
Cut-Out Side View



Rear Elevation



Side Elevation



Typical Conduit Hole Location. Size = 25mm Conduit Knockouts

All Dimensions quoted are nominal only. Drawings, images and diagrams are for illustrative purposes only and are not to scale. Product details and dimensions are subject to change without notice. This product is not suitable for use in wet areas, is intended for use with fixed wiring only and must be installed by a licensed electrical mechanic in accordance with AS3000, SAA Wiring Rules and A.C.A Requirements





STEP 1: PREPARE AREA FOR INSTALLATION

- Secure Steel Box Body housing (126x135x67mm) to structural slab (recommended) or within preformed recess/blockout (146x155x101mm). Ensure Box Body is positioned so that Floor Box Lid finishes flush and level with final floor finish height and is secured to prevent 'dipping' or 'floating' within screed
- Positioning and securing the Box Body accurately will prevent operation/installation problems at later stages
- Connect conduits to Steel Box Body at desired location(s) and cover opening in box body using the Temporary Cover to prevent screed entering the box. Cover screw heads using duct tape, to allow screw removal after screed hardens.

IMPORTANT: SEAL ANY GAPS AROUND CONDUIT ENTRIES WITH SEALANT OR DUCT TAPE PRIOR TO SCREEDING IT

STEP 2: FLOOR BOX LID INSTALLATION

- Remove Temporary Cover from Steel Box Body
- Lay and trim floor surface (carpet, vinyl, tiles etc) to the size of the *FLOOR BOX STAINLESS STEEL LID* for 149/2A & 149B/2A
- Terminate outlets as required (as per AS3000) fixing them to the mounting bracket supplied and ensuring all metal components maintain earth continuity
- Fit hinged cover using M4 countersunk screws supplied and test the operation of the unit. Floor coverings under the hinge may interfere with operation - trim any floor coverings clear of the hinging points.

IMPORTANT: THE COVER HINGE POINT SHOULD BE ABOVE THE POWER OUTLET TO ALLOW MAXIMUM ROOM FOR THE CABLES TO EXIT THE FLOORBOX EASILY

