

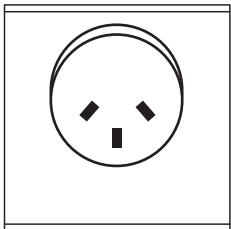
FFOB-150

AT A GLANCE

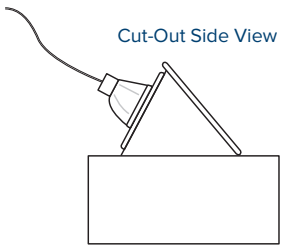
Capacity: 1 x Round Autoswitched GPO
Lid Material: Gloss Black with Chrome trim
Lid Size: 120 x 120mm
Box Size: 100 x 100 x 90mm
Recess Size: 120 x 120 x 100mm

This Floor Box Weighs Up To: 1.1KG's

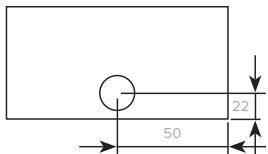
Above View



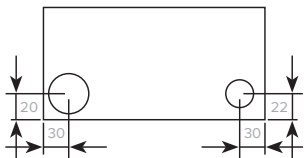
Cut-Out Side View



Side Elevation



Side Elevation



Typical Conduit Hole Location.
Size = 22mm, 25mm & 27mm
Conduit Knockouts

Features

Gloss Black Pop-up Lid - 120 x 120mm pops up from its' housing below.

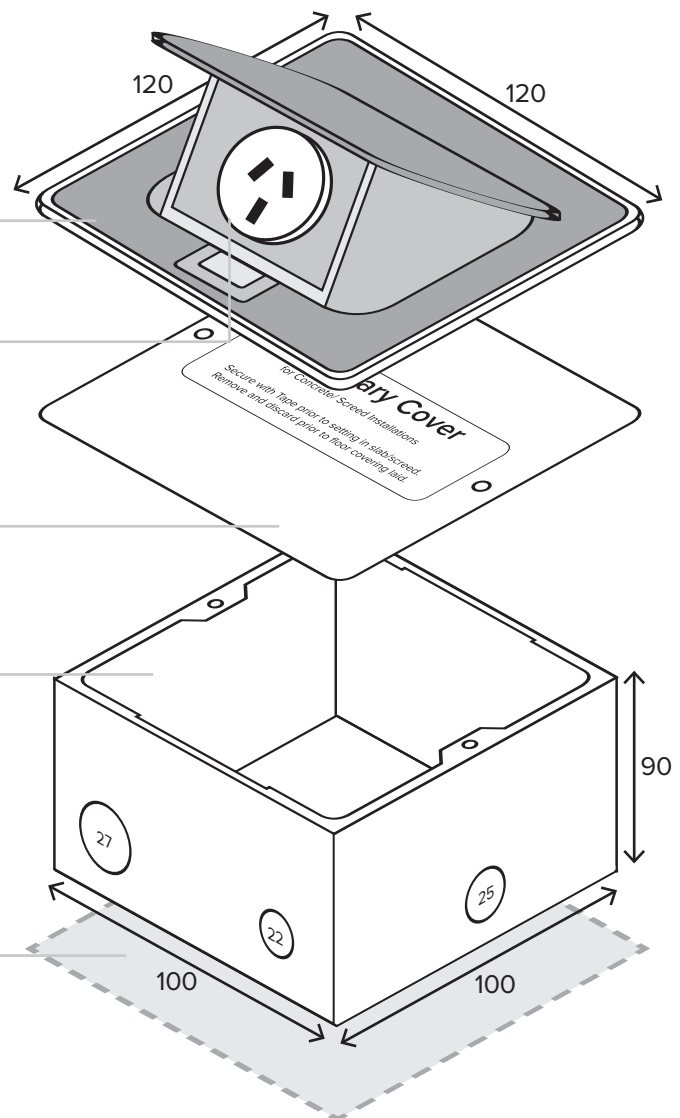
Lid mounted Outlet - mounted directly to the pop-up cover, 1 x 10Amp Round Autoswitched GPO (supplied)

Temporary Lid - secure to body with Trilob Screw x 4 during concrete pour to prevent ingress of slurry

Steel Box Body - 100 x 100 x 90mm deep. Has 2 x 22mm conduit knockouts, 2 x 25mm conduit knockouts and 2 x 27mm conduit knockouts

Block-out in concrete slab 120 x 120 x 100mm nom.
Cut-out in raised floor 102 x 102mm nom.

Suitable For Up To CAT6 Cabling



All Dimensions quoted are nominal only. Drawings, images and diagrams are for illustrative purposes only and are not to scale. Product details and dimensions are subject to change without notice. This product is not suitable for use in wet areas, is intended for use with fixed wiring only and must be installed by a licensed electrical mechanic in accordance with AS3000, SAA Wiring Rules and A.C.A Requirements





STEP 1: PREPARE AREA FOR INSTALLATION

OPTION 1. SLAB/ SCREED INSTALLATION

- Secure Aluminium Box Body housing (100x100x90mm) to structural slab (recommended) or within preformed recess/blockout (120x120x100mm). Ensure Box Body is positioned to finish flush and level with final slab surface and is secured to prevent 'dipping' or 'floating' within screed
- Positioning and securing the Box Body accurately will prevent operation/installation problems at later stages
- Connect conduits to Aluminium Box Body at desired location(s) and cover opening in box body using the Temporary Cover to prevent screed entering the box. Cover screw heads using duct tape, to allow screw removal after screed hardens.

IMPORTANT: SEAL ANY GAPS AROUND CONDUIT ENTRIES WITH SEALANT OR DUCT TAPE PRIOR TO SCREEDING IT

OPTION 2. RAISED/ TIMBER FLOOR, DESK OR COUNTER TOP

- Remove & Discard Temporary Cover. Cut aperture (98x98mm) in floor at desired location. The Floor/ Desk/ Counter is then sandwiched between Outlet Mechanism (above) and Aluminium Box Body (below).

OR

- Remove & Discard Temporary Cover. The Aluminium Box Body may be dropped into a 102x102mm aperture and screw fixed through the sides - near the top opening - to prevent it from being lifted out. An adhesive sealant may also provide additional rigidity - apply to the area where the Aluminium Box Body meets the Floor/ Desk/ Counter. Do not attach Floor Box Outlet Mechanism until any adhesive is hardened so as to avoid contact with lid hinges.

STEP 2: FLOOR BOX LID INSTALLATION

- Remove Temporary Cover from Aluminium Box Body (if not done so already when installing in a raised floor, desk or counter top)
- Lay and trim floor surface (carpet, vinyl, tiles etc) to the size of the *FLOOR BOX ALUMINIUM BOX BODY* for 150
- Terminate by fitting bootlace terminals supplied to end of cable. Crimp bootlace terminal and insert into correct location on terminal block (as per AS3000) ensuring all metal components maintain earth continuity
- Fit Outlet Mechanism using M5 countersunk screws supplied and test the operation of the unit. Small adjustments in tightness of screws will move cover from side to side. Slowly tighten and test until correct cover position is found.

IMPORTANT: TEST ALL CONNECTIONS PRIOR TO OPERATION

FFOB-150 IS NOT SUITABLE FOR FOOT TRAFFIC AREAS

