

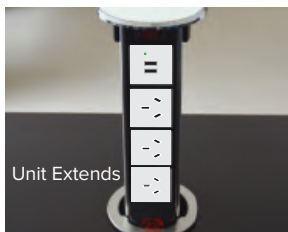
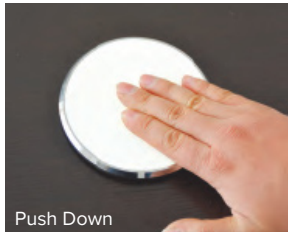
CDS3P2UW

Black or White Lid Colour
3 x Square Autoswitched GPO
2 x USB Charge
Wireless Charging Lid For Phones!

AT A GLANCE

- Capacity:** 3 x Square Autoswitched GPO, 2 x USB Charge & Wireless Charging Lid for Smartphones!
- Lid:** Black with Chrome trim, White with Chrome trim
- In-Use Height:** 233mm
- Desk Thickness:** 9.5 - 55mm
- Ratings:** IP54 Water & Dust Rating

Wireless Charging Lid for Phones!



Features

Pop-Up Cover - 100mm Diameter, features Wireless Charging Lid for any Smartphone with a magnetosphere. Adapters are available for older phones.

Lid Colours Available - **Black** with Chrome trim, **White** with Chrome trim.

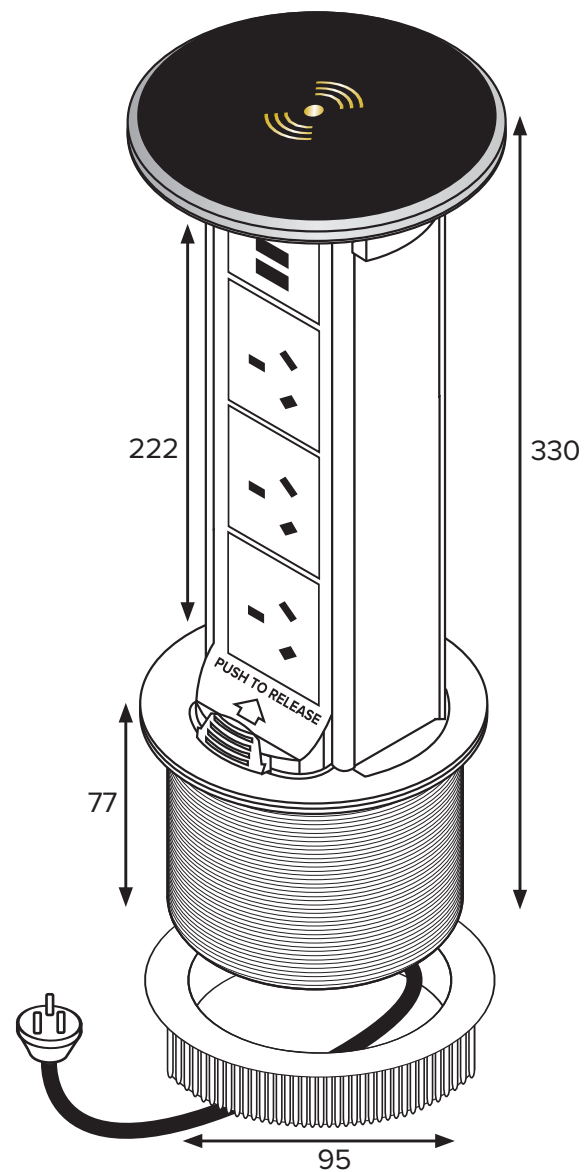
Tamper Resistant Outlets
IP54 Water & Dust Rating
In-Use Height - 233mm

Under-Desk Height (When Closed) - 320mm

Desk-Top / Benchtap Cut-Out Size - 95.25mm

Power Cord Length - 1300mm

Suitable Desk/Bench Top Thickness - Between 9.5mm and 55mm



All Dimensions quoted are nominal only. Drawings, images and diagrams are for illustrative purposes only and are not to scale. Product details and dimensions are subject to change without notice. This product is not suitable for use in wet areas and must be installed in accordance with AS3000, SAA Wiring Rules and A.C.A Requirements



GUIDE TO INSTALLATION

Fig.1

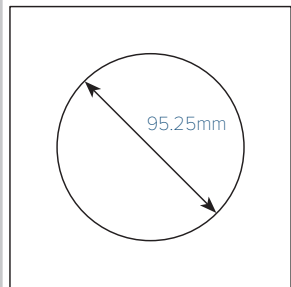


Fig.2

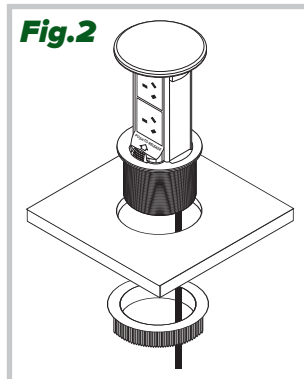


Fig.3

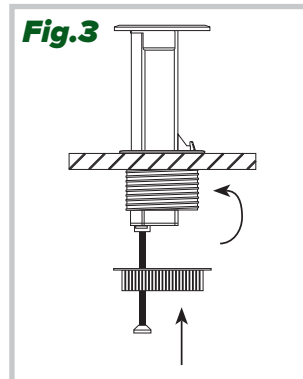
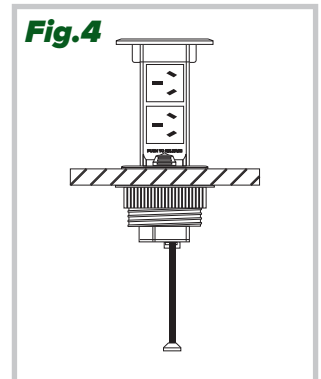


Fig.4



INSTALLATION INSTRUCTIONS

- **Cut hole in surface of countertop 95.25mm (see Fig.1)**
- **Remove plastic threaded locking flange from main unit**
- **Feed power cord through hole in countertop first followed by main unit, pushing down until black gasket is resting on countertop (see Fig.2)**
- **Feed power cord through plastic locking flange and thread flange counter-clockwise until locked in place against underside of countertop (see Fig.3 & Fig.4)**
- **Plug power cord into electrical outlet box underneath countertop**
- **Remove plastic protective film and discard**
- **To open pop-up feature, press firmly on cover. Unit will deploy approximately 25mm initially, then pull cover upward until unit locks in place**
- **To close device, push the red plastic locking tab and push down on cover until unit locks**

PRIOR TO INSTALLATION

- **Ensure there is adequate space to install (see below)**
- **Disconnect and turn off all power sources**

CONDITIONS

- **For Indoor Use Only**
- **Not suitable for floor use**
- **Cableduct Systems accepts no responsibility if the above conditions are not followed.**

CUTOUT & MOUNTING

- **Select the desired location within the countertop, desktop or benchtop at least 254mm away from any heat source**
- **Desired location must be at least 20mm away from the edge of top**
- **Mounting surfaces must be between 9.5mm and 55mm thick and have a below clearance of 320mm**

