

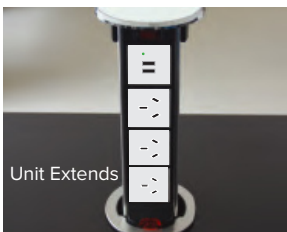
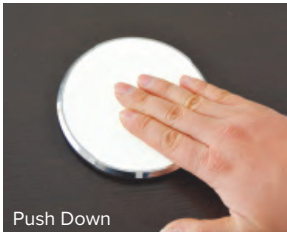
CDS4P

Aluminium Lid Colour
4 x Square Autoswitched GPO

AT A GLANCE

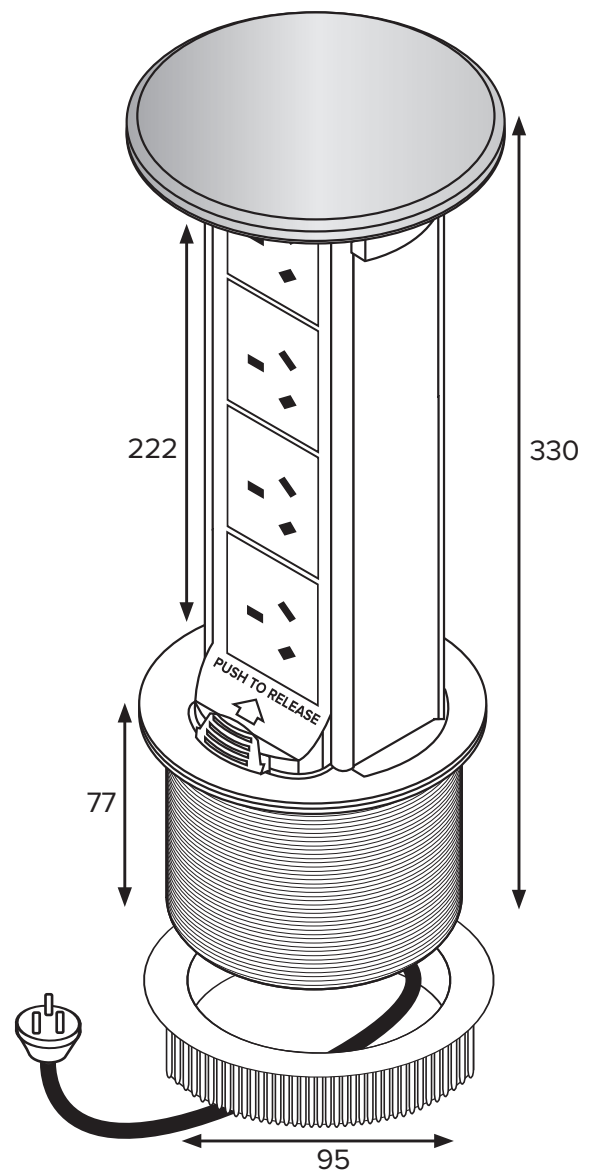
- Capacity:** 4 x Square Autoswitched GPO
- Lid:** Aluminium
- In-Use Height:** 233mm
- Desk Thickness:** 9.5 - 55mm
- Ratings:** IP54 Water & Dust Rating

4 Power Unit



Features

- Pop-Up Cover - 100mm Diameter.
- Lid Colours Available - **Aluminium.**
- 4 x Tamper Resistant Power Outlets
- IP54 Water & Dust Rating
- In-Use Height - 233mm
- Under-Desk Height (When Closed) - 320mm
- Desk-Top / Benchtap Cut-Out Size - 95.25mm
- Power Cord Length - 1300mm
- Suitable Desk/Bench Top Thickness - Between 9.5mm and 55mm



All Dimensions quoted are nominal only. Drawings, images and diagrams are for illustrative purposes only and are not to scale. Product details and dimensions are subject to change without notice. This product is not suitable for use in wet areas and must be installed in accordance with AS3000, SAA Wiring Rules and A.C.A Requirements



GUIDE TO INSTALLATION

Fig.1

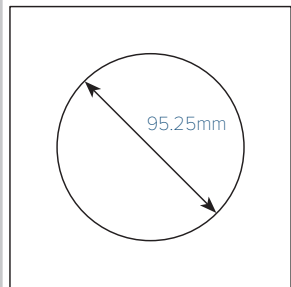


Fig.2

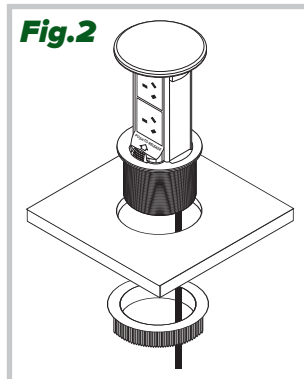


Fig.3

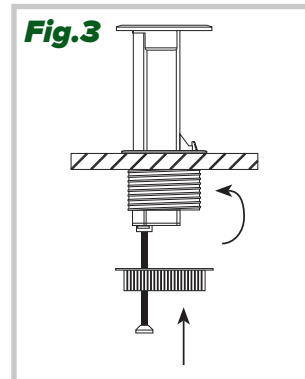
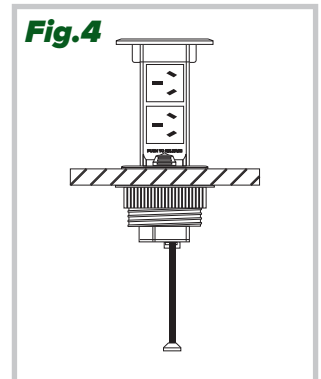


Fig.4



INSTALLATION INSTRUCTIONS

- **Cut hole in surface of countertop 95.25mm (see Fig.1)**
- **Remove plastic threaded locking flange from main unit**
- **Feed power cord through hole in countertop first followed by main unit, pushing down until black gasket is resting on countertop (see Fig.2)**
- **Feed power cord through plastic locking flange and thread flange counter-clockwise until locked in place against underside of countertop (see Fig.3 & Fig.4)**
- **Plug power cord into electrical outlet box underneath countertop**
- **Remove plastic protective film and discard**
- **To open pop-up feature, press firmly on cover. Unit will deploy approximately 25mm initially, then pull cover upward until unit locks in place**
- **To close device, push the red plastic locking tab and push down on cover until unit locks**

PRIOR TO INSTALLATION

- **Ensure there is adequate space to install (see below)**
- **Disconnect and turn off all power sources**

CONDITIONS

- **For Indoor Use Only**
- **Not suitable for floor use**
- **Cableduct Systems accepts no responsibility if the above conditions are not followed.**

CUTOUT & MOUNTING

- **Select the desired location within the countertop, desktop or benchtop at least 254mm away from any heat source**
- **Desired location must be at least 20mm away from the edge of top**
- **Mounting surfaces must be between 9.5mm and 55mm thick and have a below clearance of 320mm**

