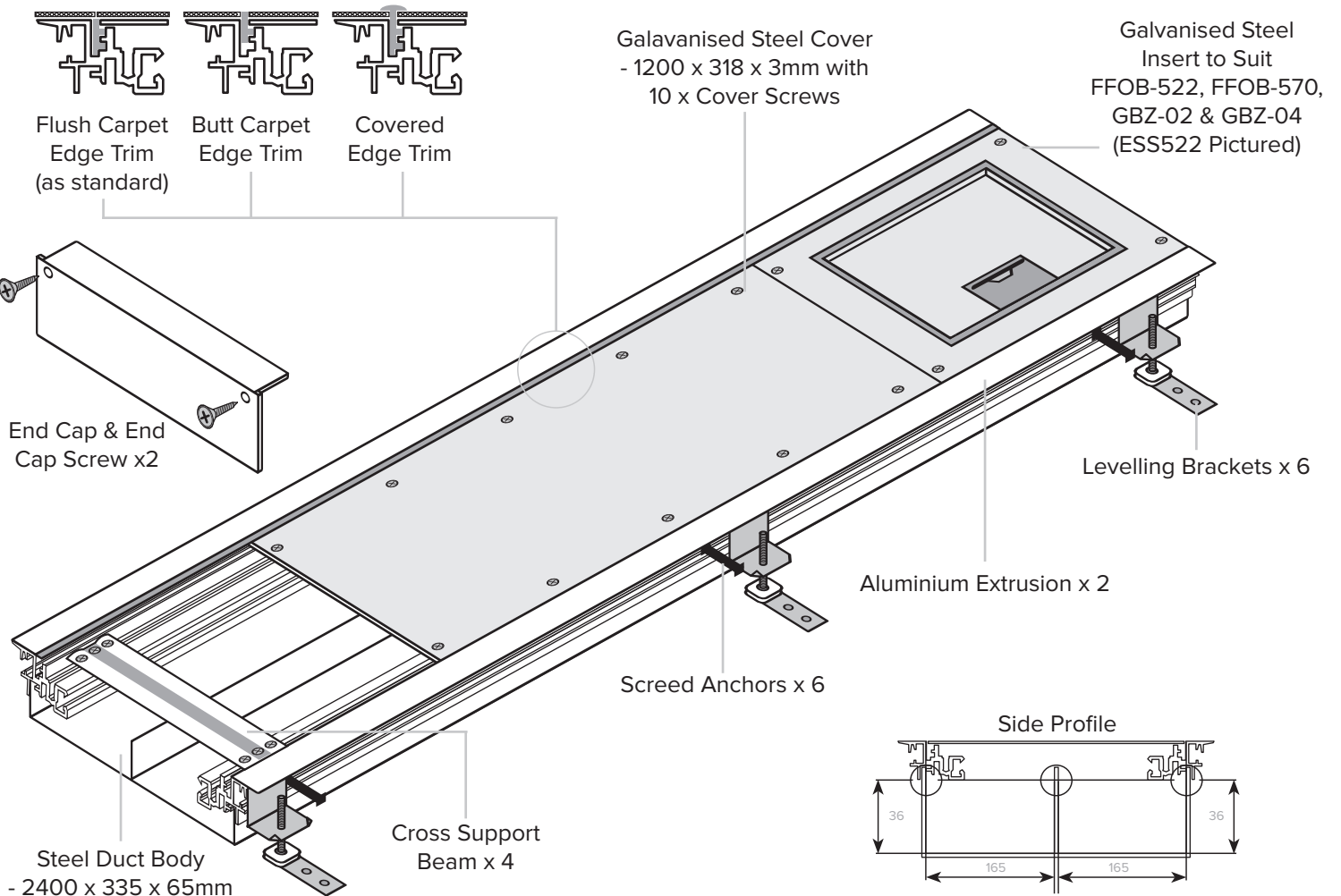


**PARTS & ACCESSORIES LIST**

DESCRIPTION	PRODUCT CODE
2.4m Steel Duct Body (335x65mm) includes 2 x Aluminium Extrusions, 4 x Cross Support Beams, 6 x Levelling Brackets, 6 x Joiners, 6 x Screed Anchors & 2 x Flush Carpet Trim	ESS350
2 x 1.2m Galvanised Steel Covers (3mm Thick) includes 20 x Cover Screws (included when ordering ESS350)	ESS350L
Ninety Degree Flat Bend	ESS350B
Tee Junction	ESS350T
End Cap includes 2 x End Cap Screws	ESS350E
Punched Cover to mount FFOB-522, FFOB-570, GBZ-02 or GBZ-04 includes 4 x Cover Screws	ESS522/ ESS570/ ESSGBZ
Alternative Carpet Edge Trims - Butt Carpet Edge Trim or Covered Carpet Edge Trim, specify when ordering	ESSCCE

**Heavy Duty**



Outlets are not included. All Dimensions quoted are nominal only. Drawings, images and diagrams are for illustrative purposes only and are not to scale. Product details and dimensions are subject to change without notice. This product is not suitable for use in wet areas, is intended for use with fixed wiring only and must be installed by a licensed electrical mechanic in accordance with AS3000, SAA Wiring Rules and A.C.A Requirements

