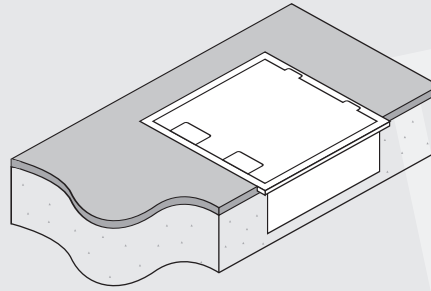


FFOB-250/80
Stainless Steel lid with 14mm Rebate



FFOB-255/80
Solid Stainless Steel lid

FFOB-250B/80
Brass Look lid with 14mm Rebate

FFOB-255B/80
Solid Brass look lid

AT A GLANCE

- Capacity:** 4 x Round Autoswitched GPOs & 5 x Single Data Outlets
- Lid Size:** 245 x 245 x 5mm
- Box Size:** 230 x 227 x 79mm
- Recess Size:** 250 x 247 x 94mm

Lockable Version of this Floor Box now available!! Enquire Today.

This Floor Box Weighs Up To: 5.1KG's

Features

Hinged Lid 245 x 245mm, screw fixes to Steel Box Body

2 x Cord Exit Flaps - allow cords out with main cover closed

Temporary Cover - secure to body during concrete pour to prevent ingress of slurry

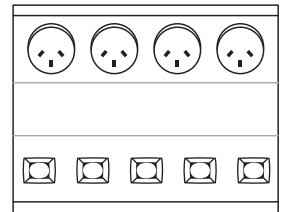
Steel Box Body - 230 x 227 x 79mm nom. deep. Has 8 x Combination 25mm/32mm conduit knockouts - 2 on outside of box and 2 on the bottom

4 x 10Amp Round Autoswitched Power Outlets

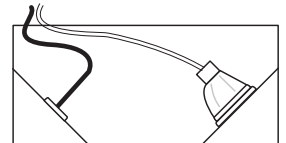
5 x Single Data Outlet Clips

Block-out in concrete slab 250 x 247 x 94mm nom.
Cut-out in raised floor 232 x 229mm nom.

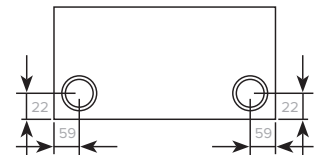
Above View



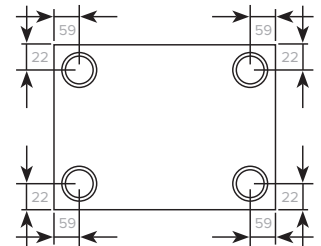
Cut-Out Side View



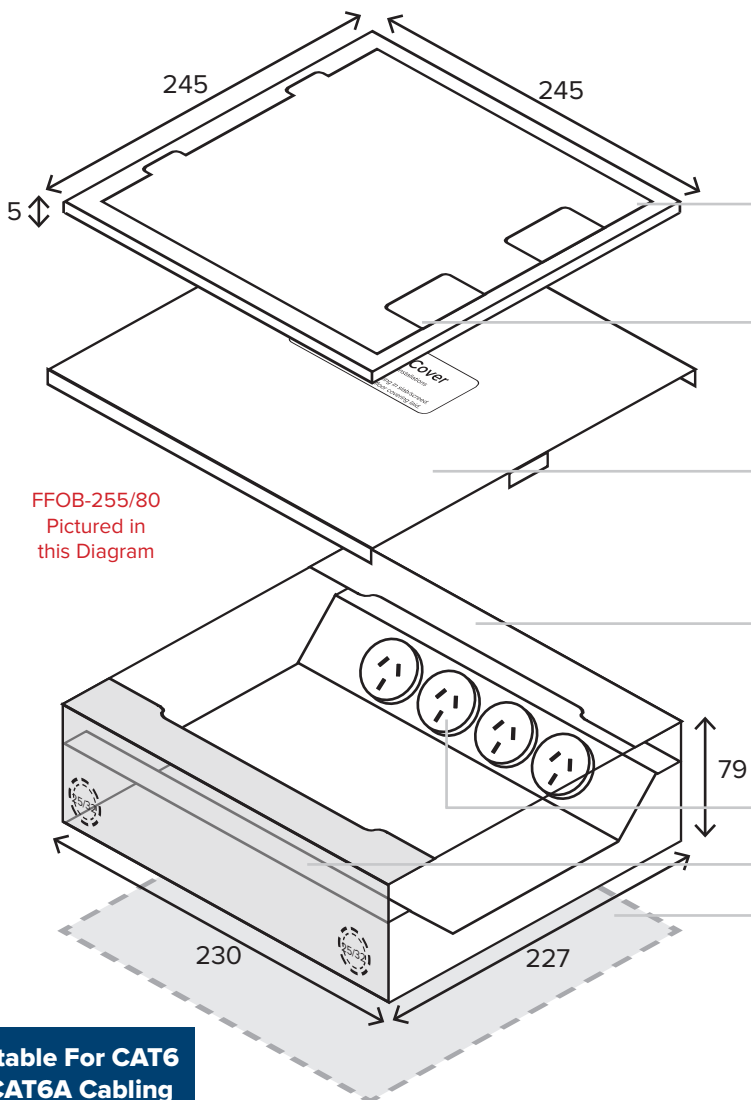
Side Elevation



Bottom Elevation



Typical Conduit Hole Location.
Size = Combination 25mm/ 32mm Conduit Knockouts



Suitable For CAT6 & CAT6A Cabling

All Dimensions quoted are nominal only. Drawings, images and diagrams are for illustrative purposes only and are not to scale. Product details and dimensions are subject to change without notice. This product is not suitable for use in wet areas, is intended for use with fixed wiring only and must be installed by a licensed electrical mechanic in accordance with AS3000, SAA Wiring Rules and A.C.A Requirements





STEP 1: PREPARE AREA FOR INSTALLATION

- Secure Steel Box Body housing (230x227x79mm) to structural slab (recommended) or within preformed recess/blockout (250x247x94mm). Ensure Box Body is positioned so that Floor Box Lid finishes flush and level with final floor finish height and is secured to prevent 'dipping' or 'floating' within screed
- Positioning and securing the Box Body accurately will prevent operation/installation problems at later stages
- Connect conduits to Steel Box Body at desired location(s) and cover opening in box body using the Temporary Cover to prevent screed entering the box. Cover screw heads using duct tape, to allow screw removal after screed hardens.

IMPORTANT: SEAL ANY GAPS AROUND CONDUIT ENTRIES WITH SEALANT OR DUCT TAPE PRIOR TO SCREEDING IT

STEP 2: FLOOR BOX LID INSTALLATION

- Remove Temporary Cover from Steel Box Body
- Lay and trim floor surface (carpet, vinyl, tiles etc) to the size of the *FLOOR BOX STAINLESS STEEL LID* for 250/80, 250B/80, 255/80 & 255B/80
- Terminate outlets as required (as per AS3000) fixing them to the mounting bracket supplied and ensuring all metal components maintain earth continuity
- Fit Hinged Lid using M4 countersunk screws supplied and test the operation of the unit. Floor coverings under the hinge may interfere with operation - trim any floor coverings clear of the hinging points.

IMPORTANT: THE COVER HINGE POINT SHOULD BE ABOVE NEITHER OUTLET TO ALLOW MAXIMUM ROOM FOR THE CABLES TO EXIT THE FLOORBOX EASILY

