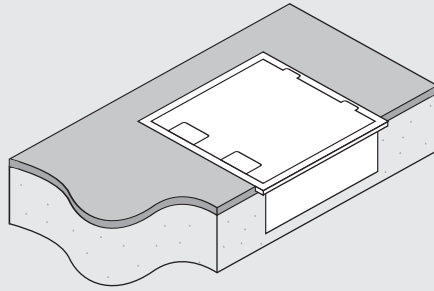


FFOB-250/8P8D
Stainless Steel lid with 14mm Rebate



FFOB-255B/8P8D
Solid Brass look lid

FFOB-250B/8P8D
Brass Look lid with 14mm Rebate

FFOB-255/8P8D
Solid Stainless Steel lid

AT A GLANCE

Capacity: 8 x Round Autoswitched

GPOs & 8 x Single Data Outlets

Lid Size: 245 x 245 x 5mm

Box Size: 228 x 227 x 110mm

Recess Size: 248 x 247 x 125mm

Lockable Version of this Floor Box now available!! Enquire Today.

This Floor Box Weighs Up To: 5.6KG's

Features

Hinged Lid 245 x 245mm, screw fixes to Steel Box Body

2 x Cord Exit Flaps - allow cords out with main cover closed

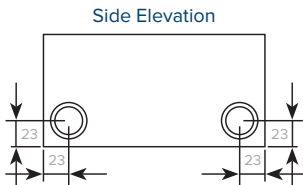
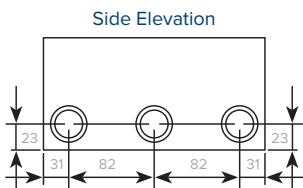
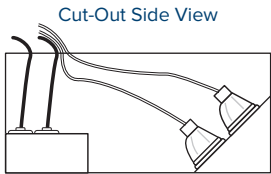
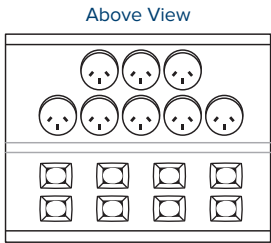
Temporary Cover - secure to body during concrete pour to prevent ingress of slurry

Steel Box Body - 228 x 227 x 110mm nom. deep. has 13 x combination 25mm/32mm conduit knockouts - 10 on outside of the box and 3 on the bottom

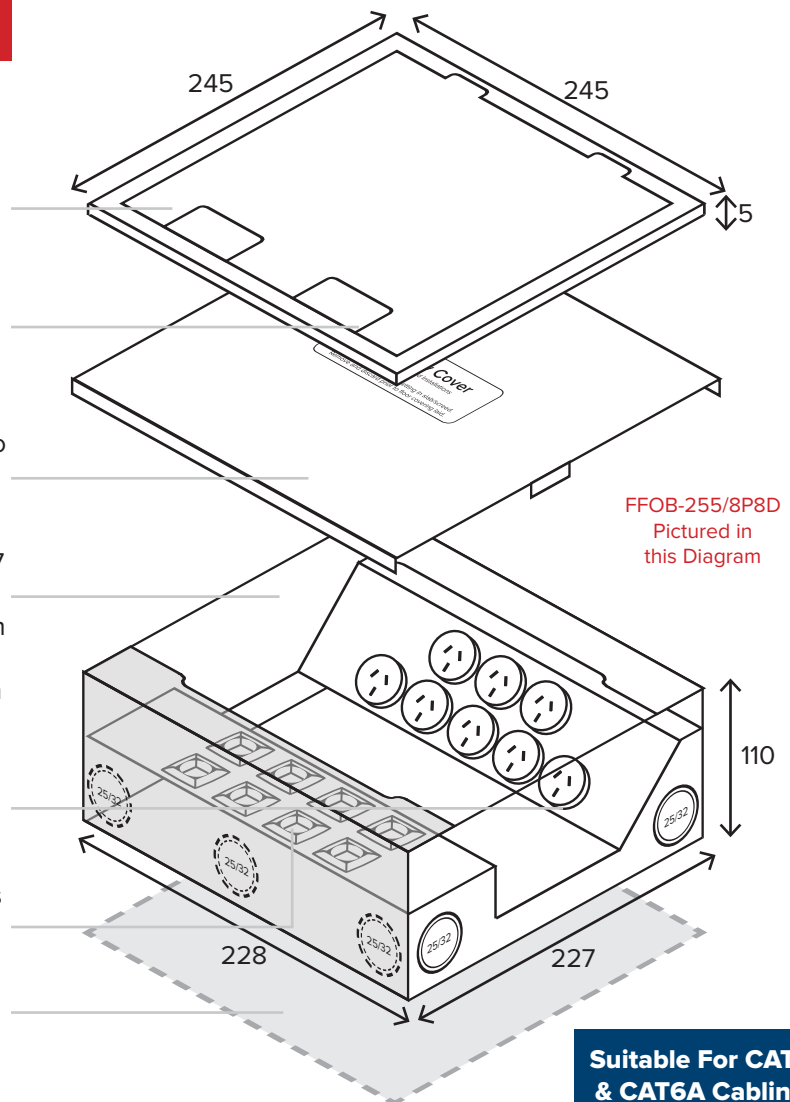
8 x 10Amp Round Autoswitched GPOs (supplied)

8 x Single Data Outlet Clips (supplied)

Block-out in concrete slab 248 x 247 x 125mm nom.
Cut-out in raised floor 230 x 229mm nom.



Typical Conduit Hole Location.
Size = Combination 25mm/32mm Conduit Knockouts



FFOB-255/8P8D Pictured in this Diagram

Suitable For CAT6 & CAT6A Cabling

All Dimensions quoted are nominal only. Drawings, images and diagrams are for illustrative purposes only and are not to scale. Product details and dimensions are subject to change without notice. This product is not suitable for use in wet areas, is intended for use with fixed wiring only and must be installed by a licensed electrical mechanic in accordance with AS3000, SAA Wiring Rules and A.C.A Requirements





STEP 1: PREPARE AREA FOR INSTALLATION

- Secure Steel Box Body housing (228x227x110mm) to structural slab (recommended) or within preformed recess/blockout (248x247x125mm). Ensure Box Body is positioned so that Floor Box Lid finishes flush and level with final floor finish height and is secured to prevent 'dipping' or 'floating' within screed
- Positioning and securing the Box Body accurately will prevent operation/installation problems at later stages
- Connect conduits to Steel Box Body at desired location(s) and cover opening in box body using the Temporary Cover to prevent screed entering the box. Cover screw heads using duct tape, to allow screw removal after screed hardens.

IMPORTANT: SEAL ANY GAPS AROUND CONDUIT ENTRIES WITH SEALANT OR DUCT TAPE PRIOR TO SCREEDING IT

STEP 2: FLOOR BOX LID INSTALLATION

- Remove Temporary Cover from Steel Box Body
- Lay and trim floor surface (carpet, vinyl, tiles etc) to the size of the *FLOOR BOX STAINLESS STEEL LID* for 250/8P8D, 250B/8P8D, 255/8P8D & 255B/8P8D
- Terminate outlets as required (as per AS3000) fixing them to the mounting bracket supplied and ensuring all metal components maintain earth continuity
- Fit Hinged Lid using M4 countersunk screws supplied and test the operation of the unit. Floor coverings under the hinge may interfere with operation - trim any floor coverings clear of the hinging points.

IMPORTANT: THE COVER HINGE POINT SHOULD BE ABOVE THE POWER OUTLET TO ALLOW MAXIMUM ROOM FOR THE CABLES TO EXIT THE FLOORBOX EASILY

