

FFOB-522

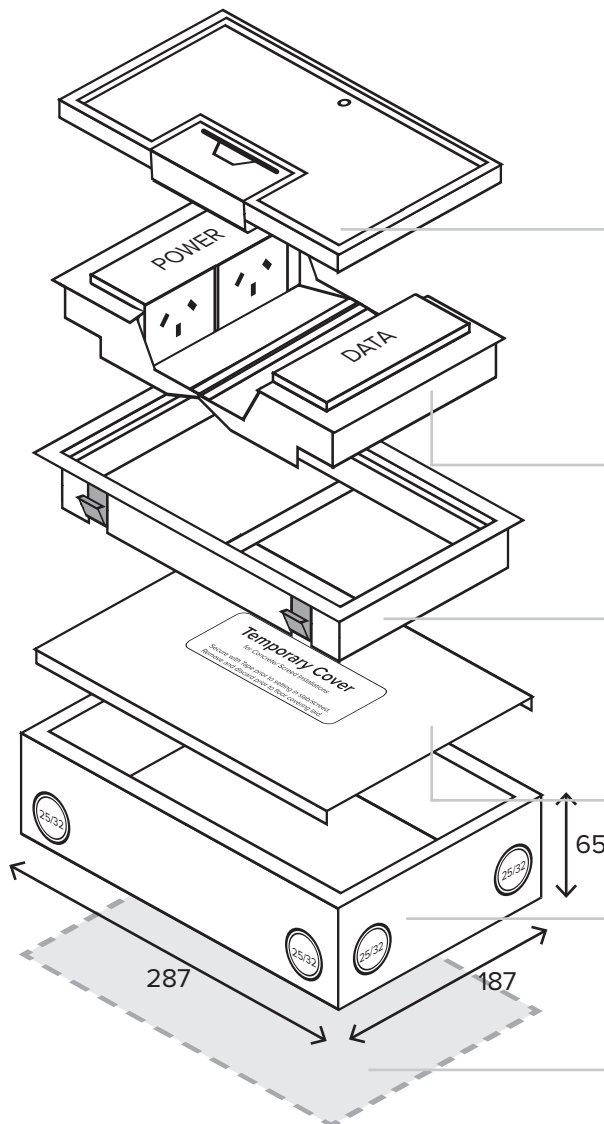
**AT A GLANCE**

- Capacity:** 2 x Square Autoswitched GPO & 2 x Single Data Outlets
- Lid Material:** Moulded Polyamide
- Lid Rebate:** 8mm Deep
- Lid Size:** 160 x 260mm
- Box Size:** 287 x 187 x 65mm
- Recess Size:** 307 x 207 x 75mm

**Suitable For CAT6 & CAT6A Cabling**

**This Floor Box Weighs Up To: 3.2KG's**

## Features



Moulded Polyamide Lid with Steel Insert Plate - includes 8mm Carpet Rebate

Cord Exit Flap - with Dust Guards and Recessed Handle

Moulded Polyamide Outlet Housing - to suit 2 x 10 Amp Autoswitched Square GPOs & 2 x Single Data Outlets

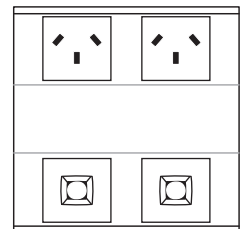
Moulded Polyamide Frame with 10mm Carpet Protective Side Edges - 260 x 160mm, attaches to body using fixing clamps

Temporary Lid - secure to body during concrete pour to prevent ingress of slurry

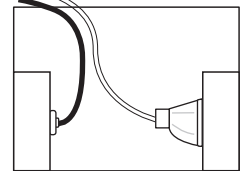
Steel Box Body - 287 x 187 x 65mm nom. deep. Has 8 x combination 25mm/32mm conduit knockouts - all on outside of box

Block-out in concrete slab 307 x 207 x 75mm nom.

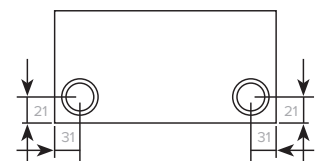
Above View



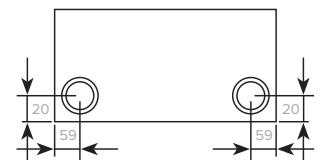
Cut-Out Side View



Rear Elevation



Side Elevation



Typical Conduit Hole Location. Size = Combination 25mm/32mm Conduit Knockouts

All Dimensions quoted are nominal only. Drawings, images and diagrams are for illustrative purposes only and are not to scale. Product details and dimensions are subject to change without notice. This product is not suitable for use in wet areas, is intended for use with fixed wiring only and must be installed by a licensed electrical mechanic in accordance with AS3000, SAA Wiring Rules and A.C.A Requirements





## STEP 1: PREPARE AREA FOR INSTALLATION

### OPTION 1. SLAB/ SCREED INSTALLATION

- Secure Steel Box Body housing (287x187x65mm) to structural slab (recommended) or within preformed recess/blockout (307x207x75mm). Ensure Box Body is positioned to finish flush and level with final slab surface and is secured to prevent 'dipping' or 'floating' within screed
- Positioning and securing the Box Body accurately will prevent operation/installation problems at later stages
- Connect conduits to Steel Box Body at desired location(s) and cover opening in box body using the Temporary Cover to prevent screed entering the box. Cover screw heads using duct tape, to allow screw removal after screed hardens.

*IMPORTANT: SEAL ANY GAPS AROUND CONDUIT ENTRIES WITH SEALANT OR DUCT TAPE PRIOR TO SCREEDING IT*

### OPTION 2. RAISED/ TIMBER FLOOR, DESK OR COUNTER TOP

- Remove & Discard Temporary Cover. The Steel Box Body may be dropped into a 289x189mm aperture and screw fixed through the sides - near the top opening - to prevent it from being lifted out. Alternatively it can be fixed to the underside of the floor covering. An adhesive sealant may also provide additional rigidity - apply to the area where the Steel Box Body meets the Floor/ Desk/ Counter. Do not attach Floor Box Lid until any adhesive is hardened so as to avoid contact with lid hinges.
- 15-35mm & 35-50mm 'Clamp Style' fixings are available where standard 5-15mm 'Clamp Style' fixings are considered unsuitable.

## STEP 2: FLOOR BOX LID INSTALLATION

- Remove Temporary Cover from Steel Box Body (if not done so already when installing in a raised floor, desk or counter top)
- Lay and trim floor surface (carpet, vinyl, tiles etc) to the size of the *FLOOR BOX STEEL BOX BODY* for FFOB-522
- Cut & fit floor finish into Lid Rebate. Made-to-fit Anti-Slip Polyamide Lid Infills are also available.
- Remove FFOB-522 Lid from Frame Assembly.
- Fit FFOB-522 Frame Assembly into the mounting space created in Step 1 by slackening 'Clamp Style' fixings and then easing into place. Secure by tightening 'Clamp Style' fixings until solid - do not overtighten.
- Feed cables through the rear of the apparatus boxes (to which the outlets mount) ensuring to use the strain relief clamps. Terminate outlets (as per AS3000) and snap outlets into the apparatus boxes, then push apparatus boxes into place within FFOB-522 Frame.
- Replace FFOB-522 Lid onto FFOB-522 Frame Assembly and test the operation of the unit. Floor coverings under the hinge may interfere with operation - trim any floor coverings clear of the hinging points.

