

FFOB-550
Stainless Steel lid & frame

FFOB-550B
Brass lid & frame

AT A GLANCE

Capacity: 4 x Clipsal 2000 Series

Style Power/Data/AV Outlets

Lid Material: Stainless Steel/ Brass

Lid Rebate: 22mm Deep

Lid Size: 235 x 235mm

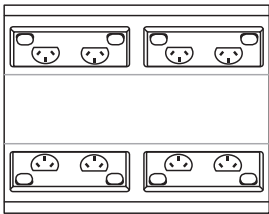
Box Size: 242 x 230 x 110mm

Recess Size: 262 x 250 x 120mm

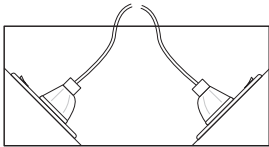
**Suitable For CAT6
& CAT6A Cabling**

This Floor Box Weighs Up To: 4.7KG's

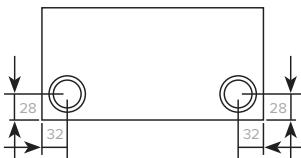
Above View



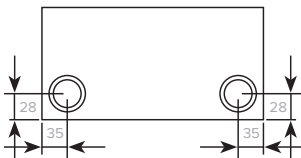
Cut-Out Side View



Rear Elevation



Side Elevation



Typical Conduit Hole Location.
Size = Combination 25mm/32mm
Conduit Knockouts

Features

Stainless Steel or Brass Lid with 22mm rebate to suit floor finish.

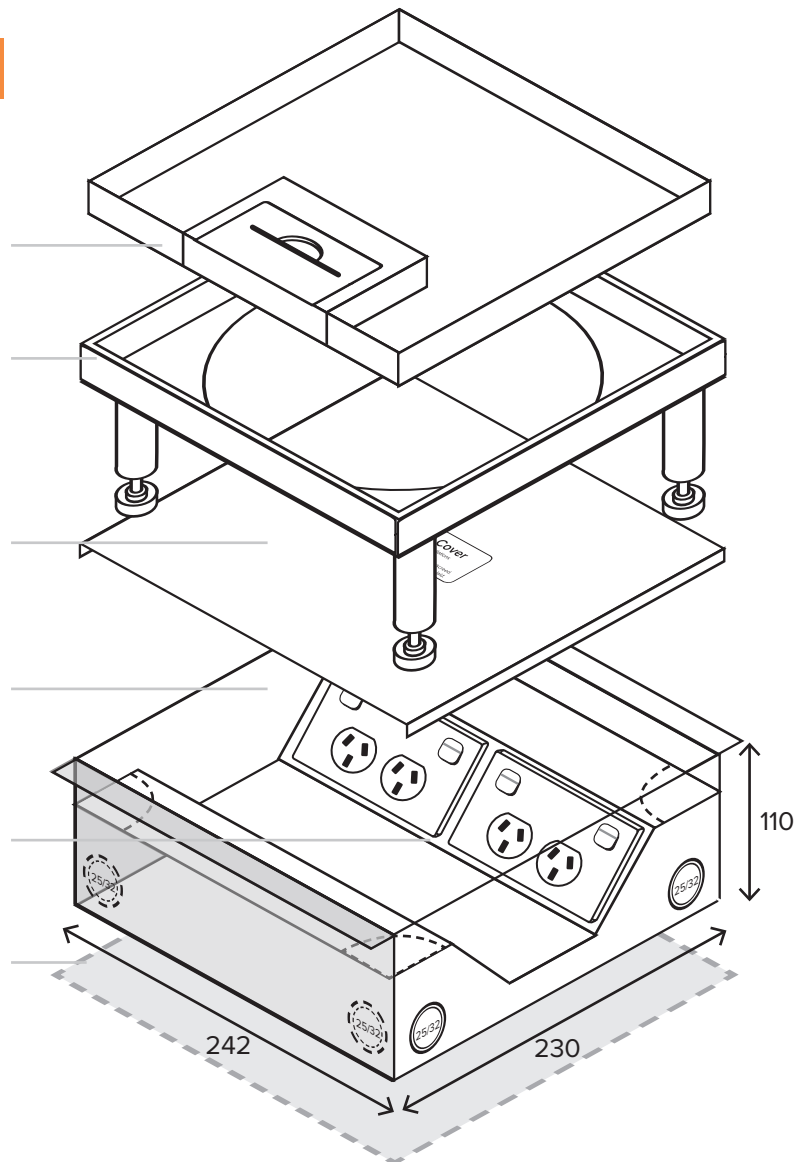
Stainless Steel or Brass Frame - includes levelling/adjustment legs

Temporary Lid - secure to body during concrete pour to prevent ingress of slurry

Steel Box Body - 242 x 230 x 110mm nom. deep.
Has 8 x combination 25mm/32mm conduit knockouts - all on outside of box

Outlet Bracket to Suit 4 x Clipsal 2000 Series Style Power/ Data /AV Outlet

Block-out in concrete slab 262 x 250 x 120mm nom.



Outlets are not included. All Dimensions quoted are nominal only. Drawings, images and diagrams are for illustrative purposes only and are not to scale. Product details and dimensions are subject to change without notice. This product is not suitable for use in wet areas, is intended for use with fixed wiring only and must be installed by a licensed electrical mechanic in accordance with AS3000, SAA Wiring Rules and A.C.A Requirements





STEP 1: PREPARE AREA FOR INSTALLATION

OPTION 1. SLAB/ SCREED INSTALLATION

- Secure Steel Box Body housing (242x230x110mm) to structural slab (recommended) or within preformed recess/blockout (262x250x120mm nominal). Ensure Box Body is positioned to finish flush and level or below finished floor height to enable the Lid & Frame to be flush with finished floor height using levelling screws in each corner of the floor box
- Positioning and securing the Box Body accurately will prevent operation/installation problems at later stages
- Connect conduits to Steel Box Body at desired location(s) and cover opening in box body using the Temporary Cover to prevent screed entering the box. Cover screw heads using duct tape, to allow screw removal after screed hardens.

IMPORTANT: SEAL ANY GAPS AROUND CONDUIT ENTRIES WITH SEALANT OR DUCT TAPE PRIOR TO SCREEDING IT

OPTION 2. RAISED/ TIMBER FLOOR, DESK OR COUNTER TOP

- Remove & Discard Temporary Cover. The Steel Box Body should be fixed to the underside of the floor covering. An adhesive sealant may also provide additional rigidity - apply to the area where the Steel Box Body meets the Floor/ Desk/ Counter. Do not attach Floor Box Lid until any adhesive is hardened so as to avoid contact with lid hinges. Cut an aperture to the size of the stainless steel Lid & Frame and then level flush.

STEP 2: FLOOR BOX LID INSTALLATION

- Remove Temporary Cover from Steel Box Body (if not done so already when installing in a raised floor, desk or counter top)
- Lay and trim floor surface (carpet, vinyl, tiles etc) to the size of the *FLOOR BOX STAINLESS STEEL LID & FRAME* for FFOB-550
- Cut & fit floor finish into Lid Rebate
- Remove FFOB-550 Lid from Frame Assembly
- Fit FFOB-550 Frame Assembly into the mounting space created in Step 1 and level with the adjustment legs located in each corner of the floor box, using a flat blade screwdriver
- Secure the Lid & Frame Assembly to the Steel Box Body with 2 of the Tek Screws provided. Use the shortest screw available
- Terminate outlets as required (as per AS3000) fixing them to the mounting bracket supplied and ensuring all metal components maintain earth continuity
- Replace FFOB-550 Lid onto FFOB-550 Frame Assembly and test the operation of the unit. Floor coverings under the hinge may interfere with operation - trim any floor coverings clear of the hinging points.

