

**FFOB-599 KIOSK BOX**

## AT A GLANCE

<b>Lid Material:</b> Cast Alloy
<b>Lid Rebate:</b> 5mm Deep
<b>Lid Size:</b> 325mm Diameter
<b>Box Size:</b> 350 x 350 x 350mm
<b>Recess Size:</b> 370 x 370 x 360mm

## To Suit IP66 Surface Switches!

## Features

Optional Cast Alloy Lid Infill with slip resistant tread - available in Satin Silver or Black/Silver Highlight

Cast Alloy Lid with 5mm rebate - hinges to frame assembly

Cord Exit Flap - with Dust Guards and Recessed Handle

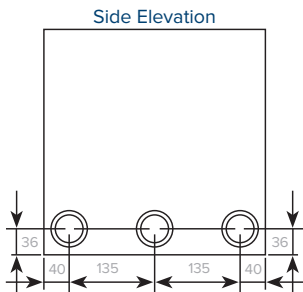
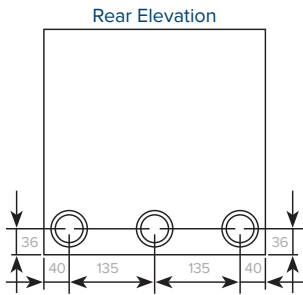
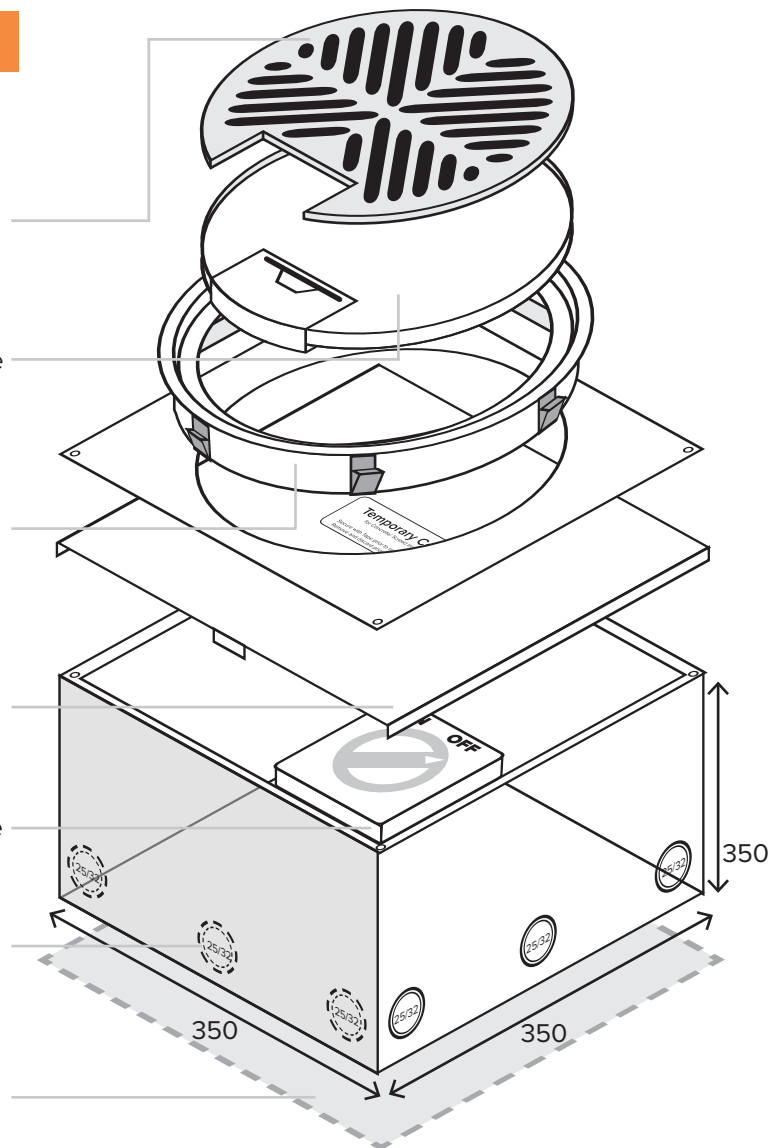
Cast Alloy Frame Assembly with 10mm protective side edge - 325mm Diameter, attaches to body using fixing clamps

Temporary Lid - secure to body during concrete pour to prevent ingress of slurry

To Suit 2 x Clipsal IP66 Surface Sockets and 2 x Clipsal IP66 Surface Switches

Steel Box Body - 350 x 350 x 350mm nom. deep. Has 12 x combination 25mm/32mm conduit knockouts

Block-out in concrete slab 370 x 370 x 360mm nom.



Typical Conduit Hole Location.  
Size = Combination 25mm/32mm  
Conduit Knockouts

Outlets are not included. All Dimensions quoted are nominal only. Drawings, images and diagrams are for illustrative purposes only and are not to scale. Product details and dimensions are subject to change without notice. This product is not suitable for use in wet areas, is intended for use with fixed wiring only and must be installed by a licensed electrical mechanic in accordance with AS3000, SAA Wiring Rules and A.C.A Requirements





## STEP 1: PREPARE AREA FOR INSTALLATION

### OPTION 1. SLAB/ SCREED INSTALLATION

- Secure Steel Box Body housing (350x350x350mm) to structural slab (recommended) or within preformed recess/blockout (370x370x360mm). Ensure Box Body is positioned to finish flush and level with final slab surface and is secured to prevent 'dipping' or 'floating' within screed
- Positioning and securing the Box Body accurately will prevent operation/installation problems at later stages
- Connect conduits to Steel Box Body at desired location(s) and cover opening in box body using the Temporary Cover to prevent screed entering the box. Cover screw heads using duct tape, to allow screw removal after screed hardens.

*IMPORTANT: SEAL ANY GAPS AROUND CONDUIT ENTRIES WITH SEALANT OR DUCT TAPE PRIOR TO SCREEDING IT*

### OPTION 2. RAISED/ TIMBER FLOOR, DESK OR COUNTER TOP

- Remove & Discard Temporary Cover. The Steel Box Body may be dropped into a 352x352mm aperture and screw fixed through the sides - near the top opening - to prevent it from being lifted out. Alternatively it can be fixed to the underside of the floor covering. An adhesive sealant may also provide additional rigidity - apply to the area where the Steel Box Body meets the Floor/ Desk/ Counter. Do not attach Floor Box Lid until any adhesive is hardened so as to avoid contact with lid hinges.
- Only 'Clamp Style' Fixings can be used for this method, which are supplied as standard. 5-15mm, 15-35mm & 35-50mm 'Clamp Style' fixings are available.

## STEP 2: FLOOR BOX LID INSTALLATION

- Remove Temporary Cover from Steel Box Body (if not done so already when installing in a raised floor)
- Lay and trim floor surface (carpet, vinyl, tiles etc) to the size of the *FLOOR BOX STEEL BOX BODY* for FFOB-599 KIOSK BOX
- Remove FFOB-599 Kiosk Box Lid from Frame Assembly.
- Fit FFOB-599 Kiosk Box Frame Assembly into the mounting space created in Step 1 by slackening 'Clamp Style' fixings and then easing into place. Secure by tightening 'Clamp Style' fixings until solid - do not overtighten.
- Terminate outlets as required (as per AS3000) fixing them to the desired location and ensuring all metal components maintain earth continuity
- Replace FFOB-599 Kiosk Box Lid onto FFOB-599 Kiosk Box Frame Assembly and test the operation of the unit. Floor coverings under the hinge may interfere with operation - trim any floor coverings clear of the hinging points.

