

FFOB-VAN12

Cast Alloy Lid & Frame
includes Screw Cap with
Integral Rubber Gasket
Satin Silver with Black
Anti-Slip Detail

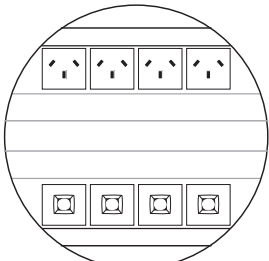
AT A GLANCE

- Capacity:** 4 x Square Autoswitched GPOs & 4 x Single Data Outlets
- Lid Material:** Cast Alloy
- Lid Size:** 325mm Diameter
- Recess Size:** 328 x 75mm Deep
- Rating:** IPX6

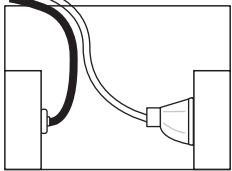
EXCLUSIVE
Electraplan
DESIGN

IPX6 RATED

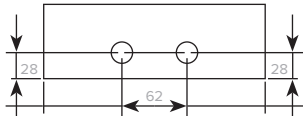
Above View



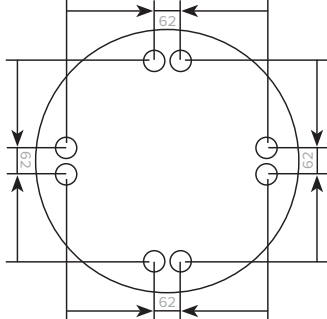
Cut-Out Side View



Side Elevation



Complete Elevation



Typical Conduit Hole Location.
Size =25mm Conduit Knockouts

Features

Cast Alloy Lid with Screw Cap and Integral Rubber Gasket Ring - Satin Silver with Black Anti-Slip Detail

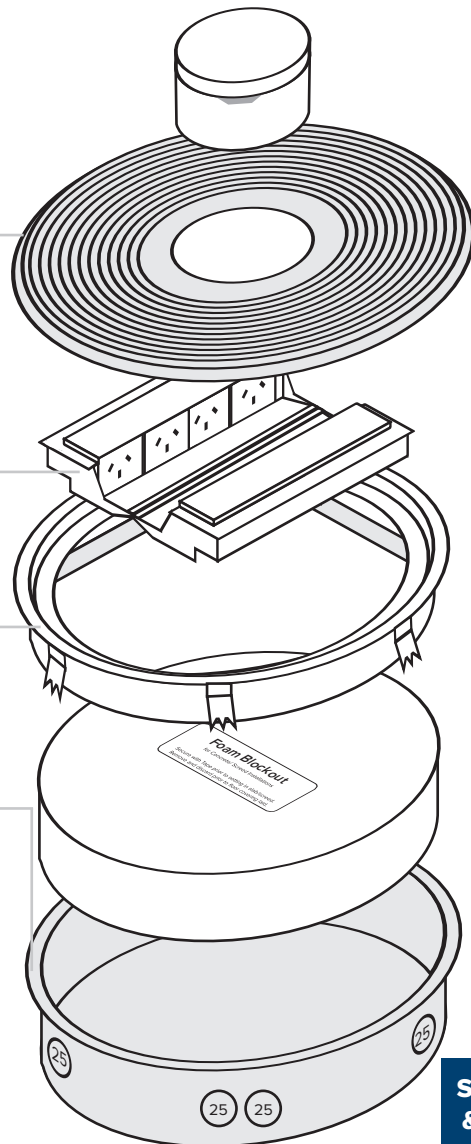
Moulded Polyamide Outlet Housing - to suit 4 x 10 Amp Autoswitched Square GPOs & 4 x Single Data Outlet Clips

Cast Alloy Frame Assembly with 10mm protective side edge - 325mm Diameter, attaches to body using fixing claws

Aluminium Canister - 308mm Diameter x 65mm deep. Has 8 x 25mm conduit knockouts. Includes Foam Blockout Insert for use during concrete pour only

IMPORTANT

In order to ensure IPX6 Rating, the underside of the floorbox frame must be sealed with an appropriate sealing compound when being fitted to the floor. The floorbox lid and rubber gasket ring must be free from debris when being closed in order to maintain correct seal.



Suitable For CAT6 & CAT6A Cabling

All Dimensions quoted are nominal only. Drawings, images and diagrams are for illustrative purposes only and are not to scale. Product details and dimensions are subject to change without notice. This product is not suitable for use in wet areas, is intended for use with fixed wiring only and must be installed by a licensed electrical mechanic in accordance with AS3000, SAA Wiring Rules and A.C.A Requirements





WATER & DUST resistant floor boxes

STEP 1: PREPARE AREA FOR INSTALLATION

OPTION 1. SLAB/ SCREED INSTALLATION

- Secure Aluminium Canister housing (308x65mm) to structural slab (recommended) or within preformed recess/blockout (328x75mm). Ensure Aluminium Canister is positioned to finish flush and level with final slab surface and is secured to prevent 'dipping' or 'floating' within screed
- Positioning and securing the Aluminium Canister accurately will prevent operation/installation problems at later stages
- Connect conduits to Aluminium Canister at desired location(s) and fill opening in canister using the Foam Blockout to prevent screed entering the box.

IMPORTANT: SEAL ANY GAPS AROUND CONDUIT ENTRIES WITH SEALANT OR DUCT TAPE PRIOR TO SCREEDING IT

OPTION 2. RAISED/ TIMBER FLOOR

- Remove & Discard Aluminium Canister & Foam Blockout. Cut aperture (310mm Diameter) in floor at desired location.
- Special 'Clamp Style' Fixings are required for this method, as opposed to the 'Claw Style' Fixings supplied as standard. 5-15mm, 15-35mm & 35-50mm 'Clamp Style' fixings are available where standard 'Claw Style' fixings are considered unsuitable.

STEP 2: FLOOR BOX LID INSTALLATION

- Remove Foam Blockout from Aluminium Canister (if not done so already when installing in a raised floor)
- Lay and trim floor surface (carpet, vinyl, tiles etc) to the size of the *ALUMINIUM CANISTER OPENING*
- Remove FFOB-VAN12 Lid from Frame Assembly.
- Fit FFOB-VAN12 Frame Assembly into the mounting space created in Step 1 by slackening "Claw Style" or "Clamp Style" fixings and then easing into place. Secure by tightening 'Claw Style' or 'Clamp Style' fixings until solid - do not overtighten.
- Feed cables through the rear of the apparatus boxes (to which the outlets mount) ensuring to use the strain relief clamps. Terminate outlets (as per AS3000) and snap outlets into the apparatus boxes, then push apparatus boxes into place within FFOB-VAN12 Frame.
- Replace FFOB-VAN12 Lid onto FFOB-VAN12 Frame Assembly and test the operation of the unit. Floor coverings under the hinge may interfere with operation - trim any floor coverings clear of the hinging points.

IMPORTANT: IN ORDER TO ENSURE IPX6 RATING, THE UNDERSIDE OF THE FLOOR BOX FRAME MUST BE SEALED WITH AN APPROPRIATE SEALING COMPOUND WHEN BEING FITTED TO THE FLOOR. THE FLOORBOX LID AND RUBBER GASKET RING MUST BE FREE FROM DEBRIS WHEN BEING CLOSED IN ORDER TO MAINTAIN CORRECT SEAL.

