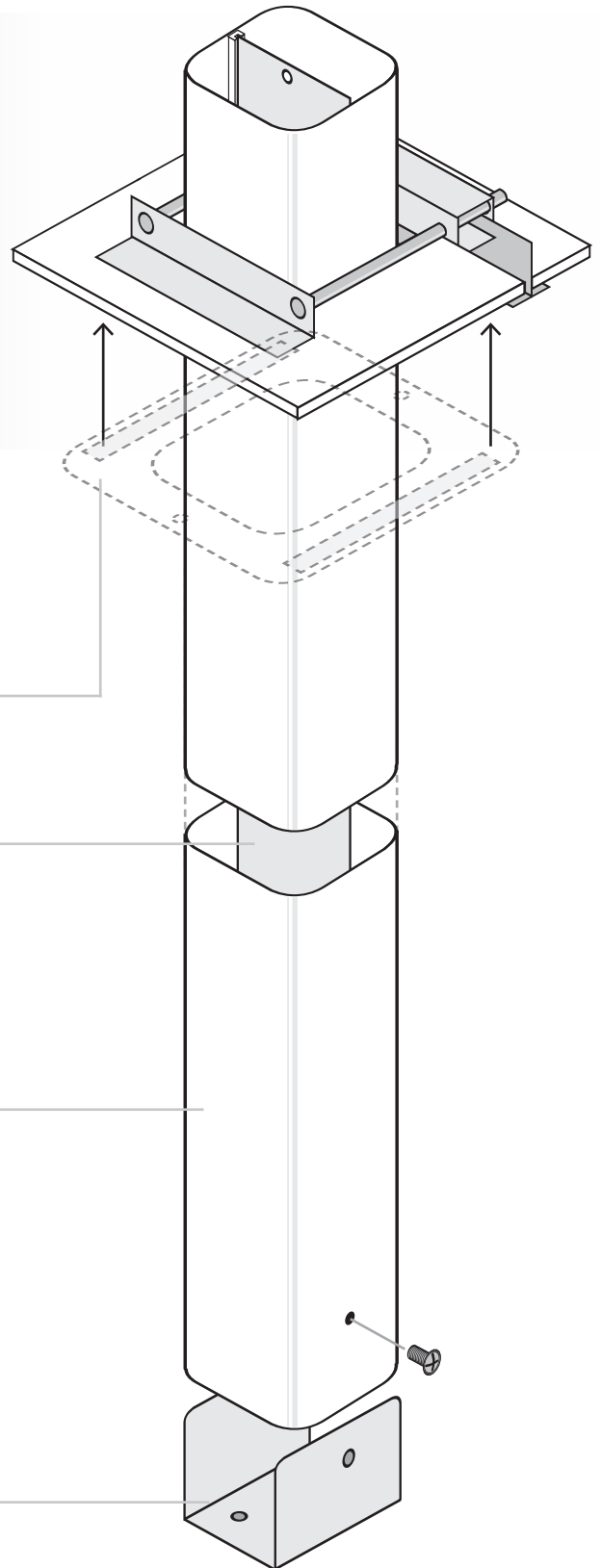


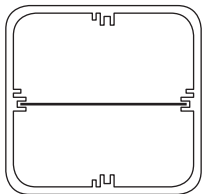
PARTS & ACCESSORIES LIST

DESCRIPTION	PRODUCT CODE
3 Metre SC7070 2-Channel Service Column	SC7070/3
4 Metre SC7070 2-Channel Service Column	SC7070/4
5 Metre SC7070 2-Channel Service Column	SC7070/5
6 Metre SC7070 2-Channel Service Column	SC7070/6
Single Channel version (without divider) is also available upon request.	
All Complete Columns are supplied ready to install however, parts can be ordered individually including: Ceiling Flange (SC7070CF) & Internal Base Plate (SC7070BP).	

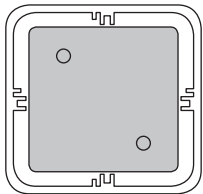


SC7070

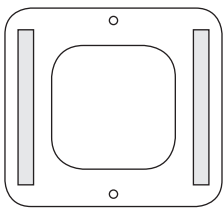
Above View



Below View



Ceiling Flange



Features

- Ceiling Flange & T-Bar Clamp Assembly
- 70mm Channel Divider - Divides the service column into two channels for Power and Data throughout the entire length of the service column
- Service Column Body - 70 x 70mm Square Aluminium Body with Radiused Corners available at heights of 3/4/5 or 6 metres
- Internal Base Plate - SC-7070 Specific base plate secures to the floor, providing a neat and flush finish

All Service Columns are available in the following Stocked Colours: Pearl White or Natural Anodised. We can also powdercoat using any colour within the Dulux or Interpon Range of Powdercoatings, please allow a turnaround of 10 working days for custom colours. Contact us for further information.

Outlets are not included. All Dimensions quoted are nominal only. Drawings, images and diagrams are for illustrative purposes only and are not to scale. Product details and dimensions are subject to change without notice. This product is not suitable for use in wet areas, is intended for use with fixed wiring only and must be installed by a licensed electrical mechanic in accordance with AS3000, SAA Wiring Rules and A.C.A Requirements





STEP 1. PREPARATION FOR SERVICE COLUMN

- Mount in a safe & suitable position
- Attach Service Column Base Plate to the floor and to the ceiling using the Ceiling Flange Kit provided

STEP 2. INSTALLATION OF OUTLETS

- Cut hole into Service Column Body where Outlets are to be placed
- Terminate outlets as required (as per AS3000) fixing them to the outside of the Service Column Body ensuring all metal components maintain earth continuity.

IMPORTANT: STEEL CHANNEL DIVIDER IS SUPPLIED TO SEPARATE POWER AND DATA OUTLETS AND TO PREVENT INTERFERENCE BETWEEN THE TWO. NEVER MOUNT POWER AND DATA OUTLETS ON THE SAME SIDE OF THE SERVICE COLUMN BODY



SC8550 Pictured

