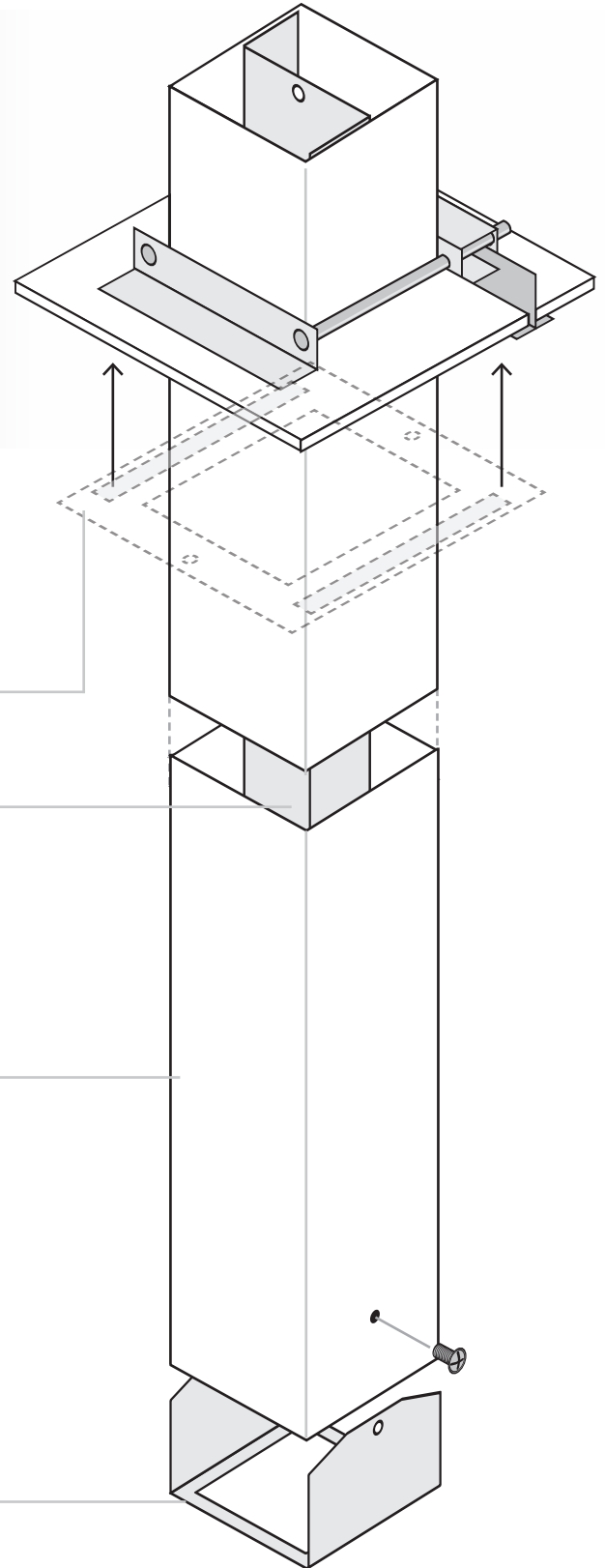


PARTS & ACCESSORIES LIST

DESCRIPTION	PRODUCT CODE
3 Metre SC9090 2-Channel Service Column	SC9090/3
4 Metre SC9090 2-Channel Service Column	SC9090/4
5 Metre SC9090 2-Channel Service Column	SC9090/5
6 Metre SC9090 2-Channel Service Column	SC9090/6
Single Channel version (without divider) is also available upon request.	
All Complete Columns are supplied ready to install however, parts can be ordered individually including: Ceiling Flange (SC9090CF) & Internal Base Plate (SC9090BP).	



SC9090

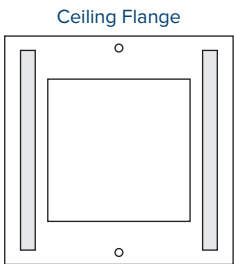
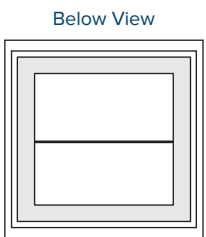
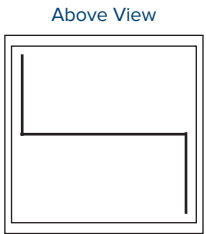
Features

Ceiling Flange & T-Bar Clamp Assembly

“Z” Shaped Channel Divider - Divides the service column into two channels for Power and Data throughout the entire length of the service column

Service Column Body - 90 x 90mm Square Aluminium Body available at heights of 3/4/5 or 6 metres

Internal Base Plate - SC-9090 Specific base plate secures to the floor, providing a neat and flush finish



All Service Columns are available in the following Stocked Colours: Pearl White or Natural Anodised. We can also powdercoat using any colour within the Dulux or Interpon Range of Powdercoatings, please allow a turnaround of 10 working days for custom colours. Contact us for further information.

Outlets are not included. All Dimensions quoted are nominal only. Drawings, images and diagrams are for illustrative purposes only and are not to scale. Product details and dimensions are subject to change without notice. This product is not suitable for use in wet areas, is intended for use with fixed wiring only and must be installed by a licensed electrical mechanic in accordance with AS3000, SAA Wiring Rules and A.C.A Requirements





STEP 1. PREPARATION FOR SERVICE COLUMN

- Mount in a safe & suitable position
- Attach Service Column Base Plate to the floor and to the ceiling using the Ceiling Flange Kit provided

STEP 2. INSTALLATION OF OUTLETS

- Cut hole into Service Column Body where Outlets are to be placed
- Terminate outlets as required (as per AS3000) fixing them to the outside of the Service Column Body ensuring all metal components maintain earth continuity.

IMPORTANT: STEEL CHANNEL DIVIDER IS SUPPLIED TO SEPARATE POWER AND DATA OUTLETS AND TO PREVENT INTERFERENCE BETWEEN THE TWO. NEVER MOUNT POWER AND DATA OUTLETS ON THE SAME SIDE OF THE SERVICE COLUMN BODY



SC8550 Pictured

