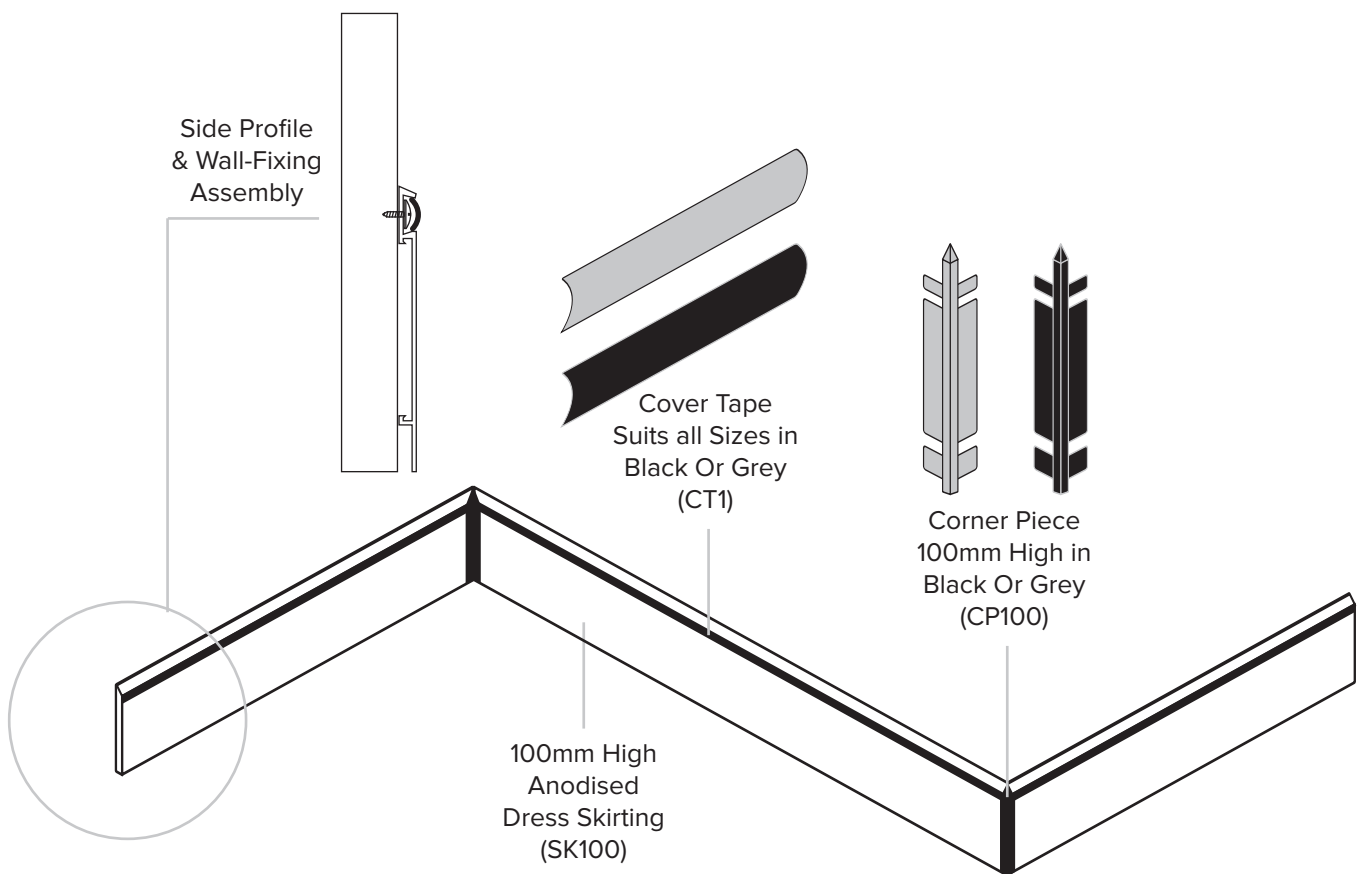


**PARTS & ACCESSORIES LIST**

DESCRIPTION	PRODUCT CODE	CARE AND MAINTENANCE
100mm High - Anodised Dress Skirting	SK100	Dress skirting should only ever need to be washed down with a soft cloth using warm water and a mild detergent. Rinse well with fresh water and remove any detergent residue.  Strong detergents and abrasive cleansers should never be used to clean the Dress Skirting as it may scratch or damage the surface.
100mm High - Corner Piece in Black	CP100B	
100mm High - Corner Piece in Grey	CP100G	
Cover Tape - Suits All Sizes in Black	CT1B	
Cover Tape - Suits All Sizes in Grey	CT1G	

**100mm Anodised Dress Skirting**



Outlets are not included. All Dimensions quoted are nominal only. Drawings, images and diagrams are for illustrative purposes only and are not to scale. Product details and dimensions are subject to change without notice. This product is not suitable for use in wet areas, is intended for use with fixed wiring only and must be installed by a licensed electrical mechanic in accordance with AS3000, SAA Wiring Rules and A.C.A Requirements

