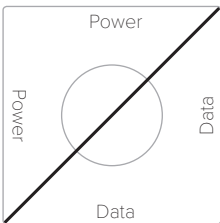


DESCRIPTION	PRODUCT CODE
Single Channel Service Pedestal	SP70
2-Channel Service Pedestal	SP72
All Complete Pedestals are supplied ready to install however, parts can be ordered individually including: External Base Plate Includes Washers & Wingnuts (SP72BP).	

AT A GLANCE
Capacity: 4 x Clipsal 2000 Series Style Power/ Data / AV Outlets
Total Height: 390mm as Standard
Box Size: 120 x 120 x 80mm
Available Colours: Pearl White
Suitable for: Category 6 & 6A Data Cabling

SP70 & SP72

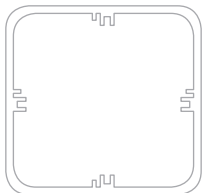
Outlet Box - Above View



Features

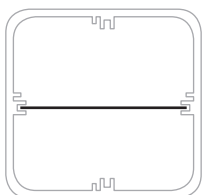
Outlet Box - 120 x 120 x 80mm
Divided into Two Sections for Power and Data (Divider removable on SP70) to suit 4 x Clipsal 2000 Series Style Power/ Data/ AV Outlets

SP70 Side Profile



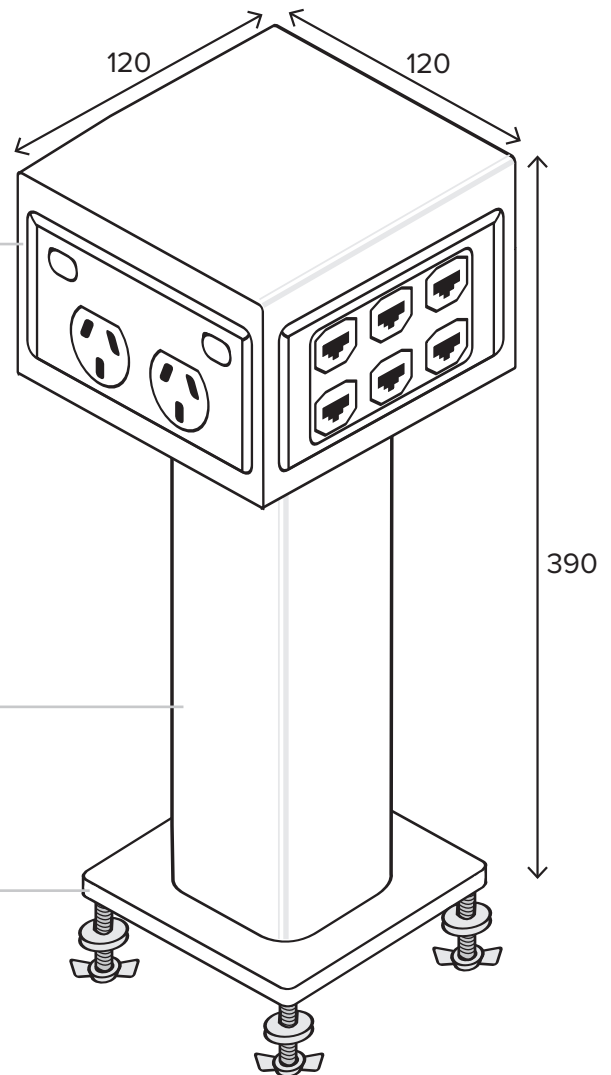
70mm Channel Divider - Divides the Service Pedestal into two channels for Power and Data throughout the entire length of the Service Pedestal (SP72 Only)

SP72 Side Profile



Service Pedestal Body - 70 x 70mm Square Aluminium Body with Radiused Corners

External Base Plate - SC70 & SP72 Specific base plate secures to Desktop or inverted and Affixed to a Ceiling or Wall providing a neat and flush finish



We can customize any Service Pedestal or Pendant to your exact specifications - Call Us Today to specify Height, Powdercoat Colour, Outlet Style etc

Outlets are not included. All Dimensions quoted are nominal only. Drawings, images and diagrams are for illustrative purposes only and are not to scale. Product details and dimensions are subject to change without notice. This product is not suitable for use in wet areas, is intended for use with fixed wiring only and must be installed by a licensed electrical mechanic in accordance with AS3000, SAA Wiring Rules and A.C.A Requirements

