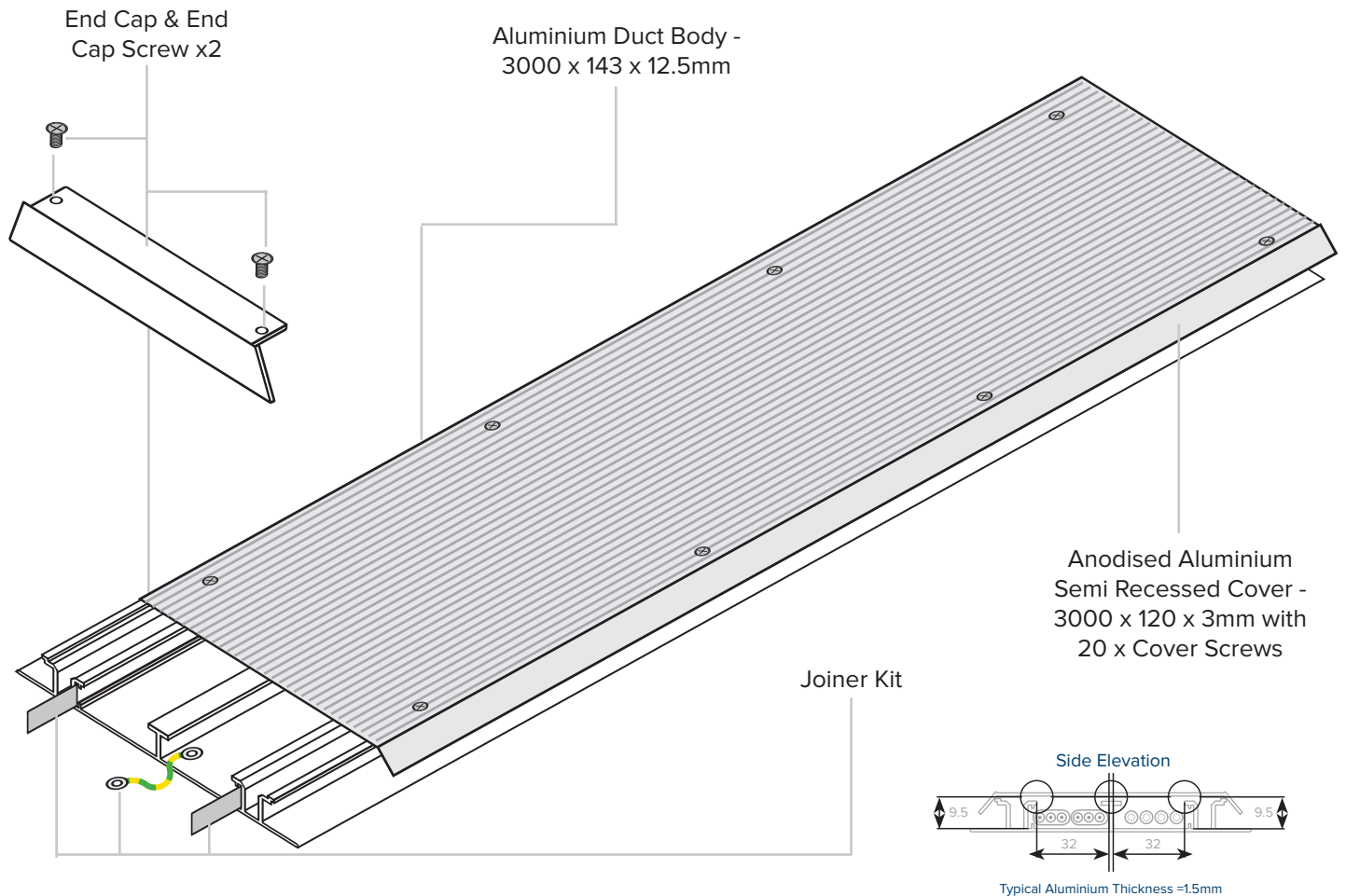


PARTS & ACCESSORIES LIST

DESCRIPTION	PRODUCT CODE
3m Aluminium Duct Body (143x12.5mm) includes 1 x Joiner Kit	AFD14SR
Semi Recessed 3m Anodised Aluminium Cover (120x3mm) includes 20 x Cover Screws (included when ordering AFD14SR)	AFD14SRL
Aluminium End Cap includes 2 x End Cap Screws available in Mill finish	AFD14SRE
The Following Above Ground Floor Boxes are Compatible with AFD14SR Above Floor Duct:	GBZ02 & GBZ04

Semi Recessed Floor Duct



All Dimensions quoted are nominal only. Drawings, images and diagrams are for illustrative purposes only and are not to scale. Product details and dimensions are subject to change without notice. This product is not suitable for use in wet areas, is intended for use with fixed wiring only and must be installed by a licensed electrical mechanic in accordance with AS3000, SAA Wiring Rules and A.C.A Requirements

