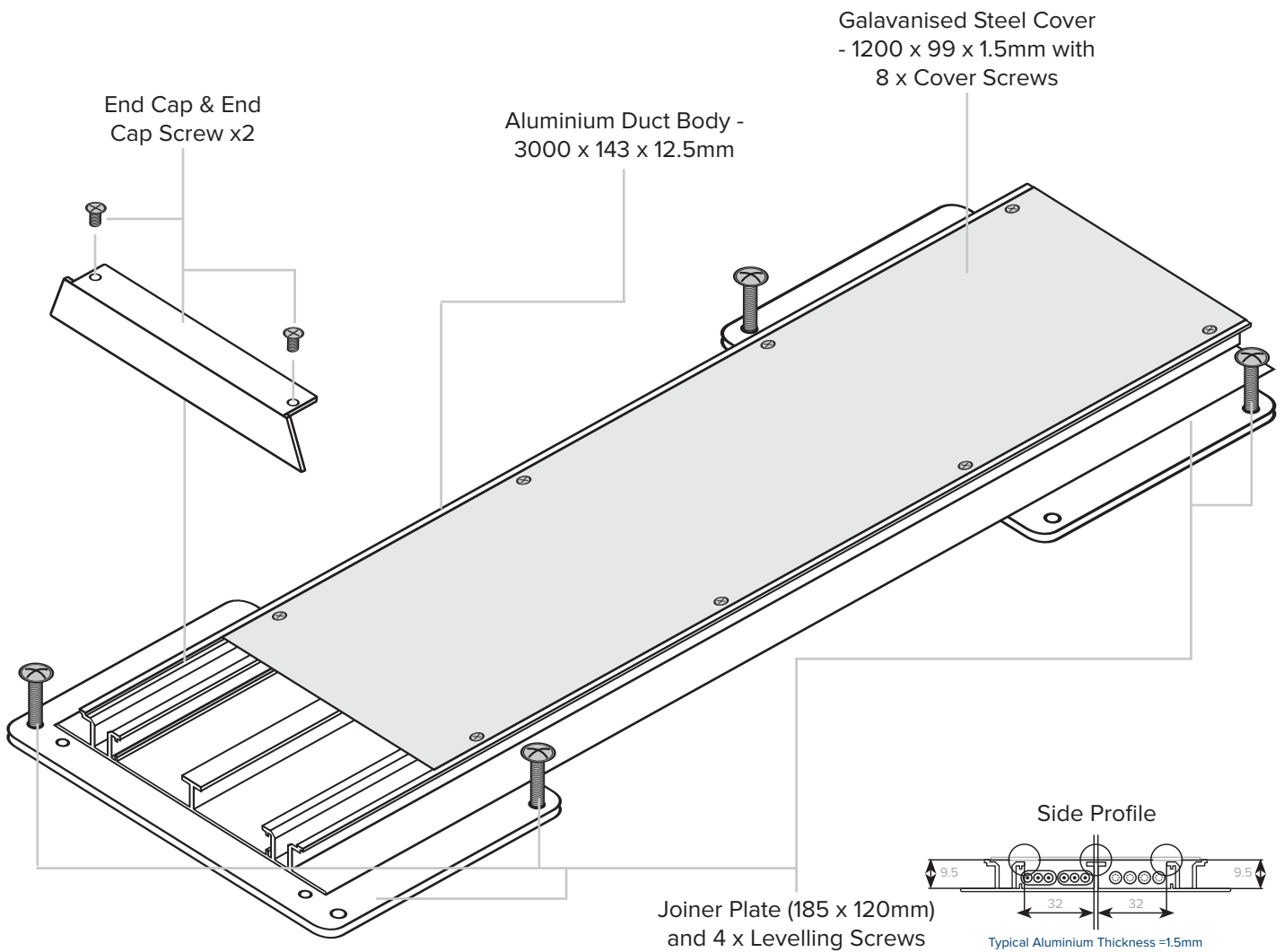


PARTS & ACCESSORIES LIST

DESCRIPTION	PRODUCT CODE
3m Aluminium Duct Body (143x12.5mm) includes 1 x Joiner Kit	FD120
3 x 1.2m Galvanised Steel Covers (99x1.5mm) includes 24 x Cover Screws (included when ordering FD120)	FD120L
Aluminium End Cap includes 2 x End Cap Screws available in Mill finish	FD120E
The Following Above Ground Floor Boxes are Compatible with FD120 Above Floor Duct:	
	GBZ02 & GBZ04

Shallow Floor Duct



All Dimensions quoted are nominal only. Drawings, images and diagrams are for illustrative purposes only and are not to scale. Product details and dimensions are subject to change without notice. This product is not suitable for use in wet areas, is intended for use with fixed wiring only and must be installed by a licensed electrical mechanic in accordance with AS3000, SAA Wiring Rules and A.C.A Requirements

